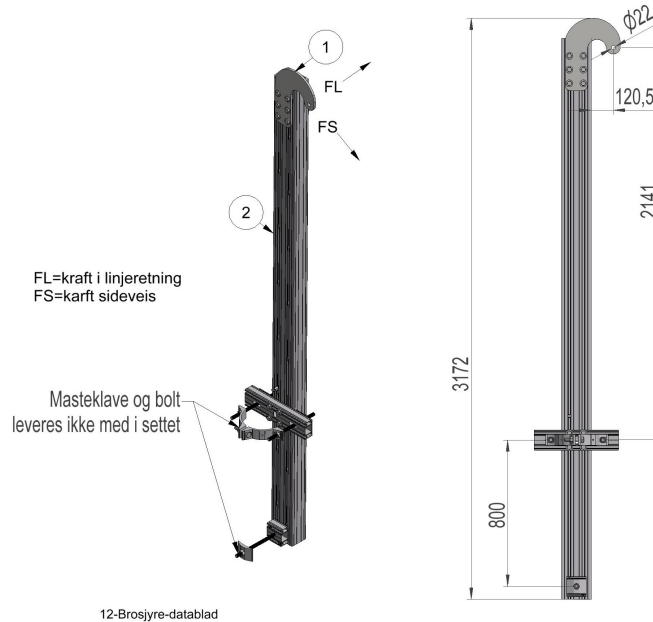


## 2836791 - Tower TTL



Description	Tower for overhead shield. Load-bearing. Pole clamp and fasteners are not included.
Unit	PSC
Weight	45 kg
Material	Aluminium, anodised-brown