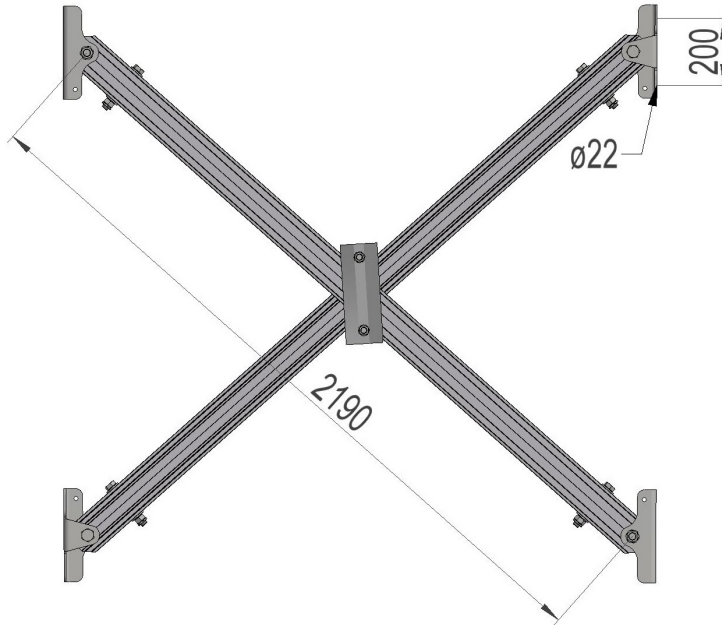


## 2836792 - Pole diagonal cross STK20



Description	Pole diagonal cross for wood and composite poles. Pole distance: 2m. Fixing bracket 2xØ22mm. Fasteners not included.
Unit	PSC
Weight	39 kg
Material	Aluminium, anodised-brown
Pole distance	2m
Crossbar profile	P1 (57,5x107)
Breaking load (static)	90kN