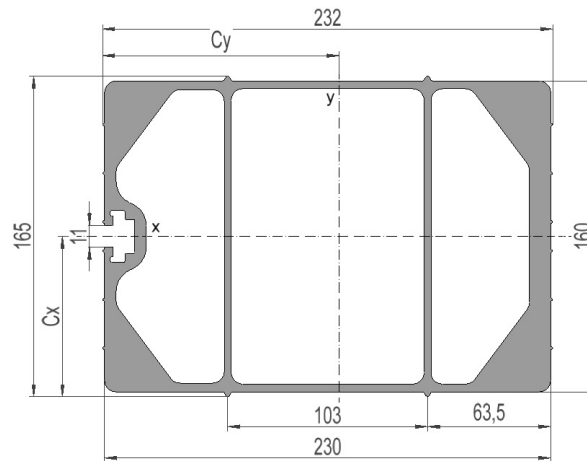


2836799 - Anch. crossbar T3AO-5050D-7S

Cross arm type	Triple pole
Pole distance	5m
Phase distance	5m
Pole fastening	280mm-double pole clamp

Crossbar profile P7 (laying)

Weight: (kg/m)	22.225
Cross section: (mm ²)	8243
Material:	Extruded aluminum, brown anodized
Alloy:	AlMgSi 6082-T6
Moment of resistance: (mm ³)	W _x = 345 747 W _y = 550 278
Area moment of inertia: (mm ⁴)	I _x = 28 524 112 I _y = 67 111 384
Center distance for I _x : (mm)	C _x = 82,50
Center distance for I _y : (mm)	C _y = 121,96
Minimum yield strength 0,2: (N/mm ²)	250
Minimum breaking load: (N/mm ²)	290



DATASHEET

2836799 - T3AO-5050D-7S

