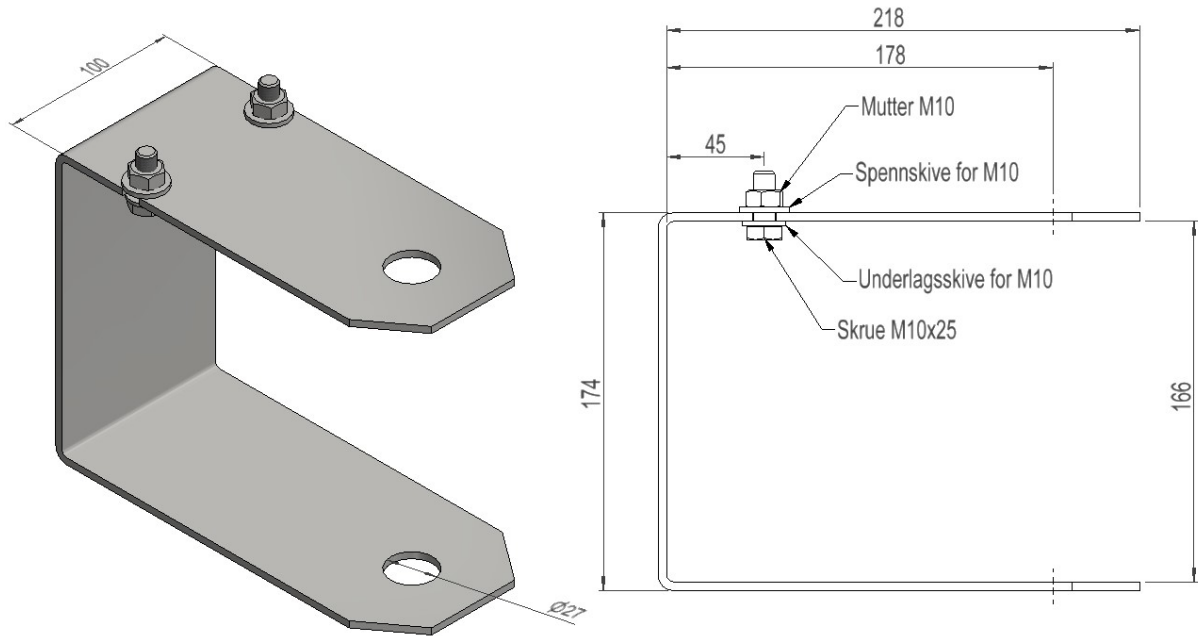


2836808 - Insulator bracket PF160



Description	Insulator bracket for crossbars 160x160mm. With fasteners.
Unit	PSC
Weight	1,7 kg
Material	Steel galvanised