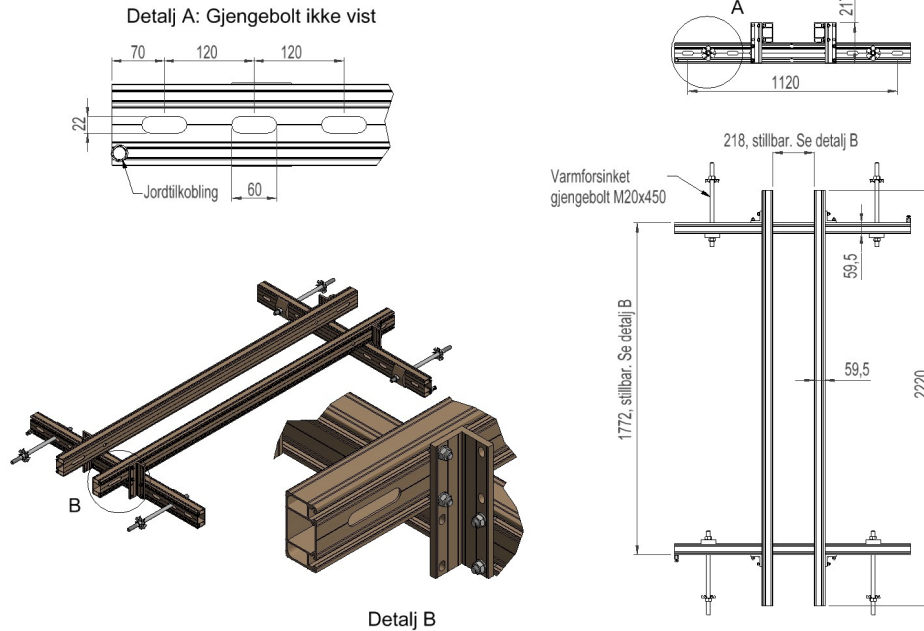


2836819 - Crossbar for transformer TRB2S-A6,5



Description	Crossbar for transformer. Pole distance 2m (A 1:6,5).
Unit	SET
Weight	36 kg
Material	Aluminium, anodised-brown
Crossarm type	H/A-pole
Pole distance	2m
Crossbar profile	P1 (57,5x107)
Yield strength (static)	16kN