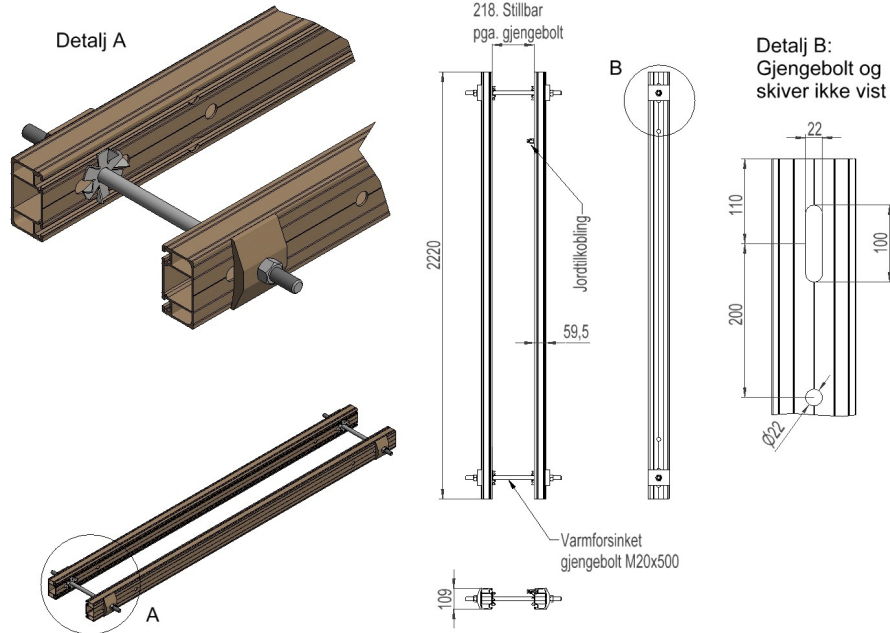


## 2836820 - Crossbar for transformer TRB2S



Description	Crossbar for transformer. Pole distance 2m (H).
Unit	SET
Weight	20,05 kg
Material	Aluminium, anodised-brown
Crossarm type	H/A-pole
Pole distance	2m
Crossbar profile	P1 (57,5x107)
Yield strength (static)	16kN