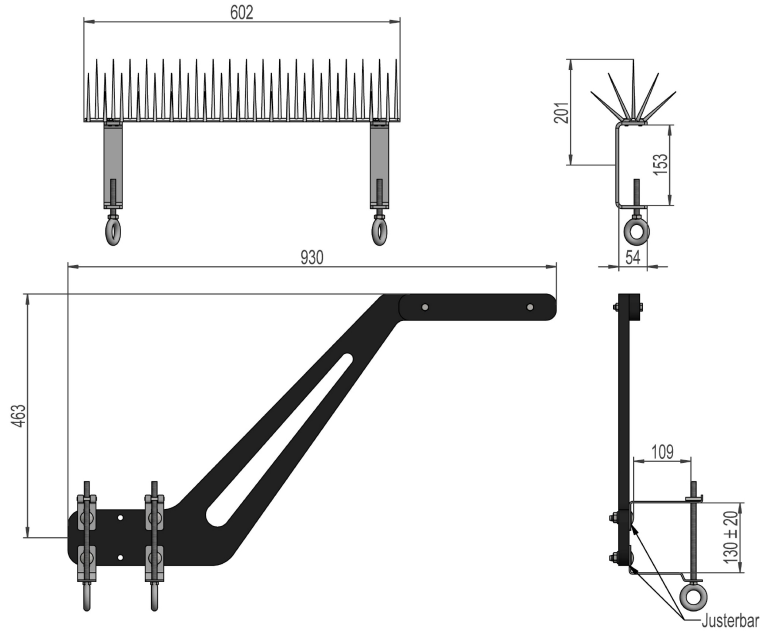


2836826 - Bird protection bracket HSAUS



| | |
|----------------|---|
| Description | Bird protection bracket. Phase 1,5m. For live working. |
| Unit | SET |
| Weight | 4,5 kg |
| Material | Polyethylene |
| Phase distance | 1,5m |