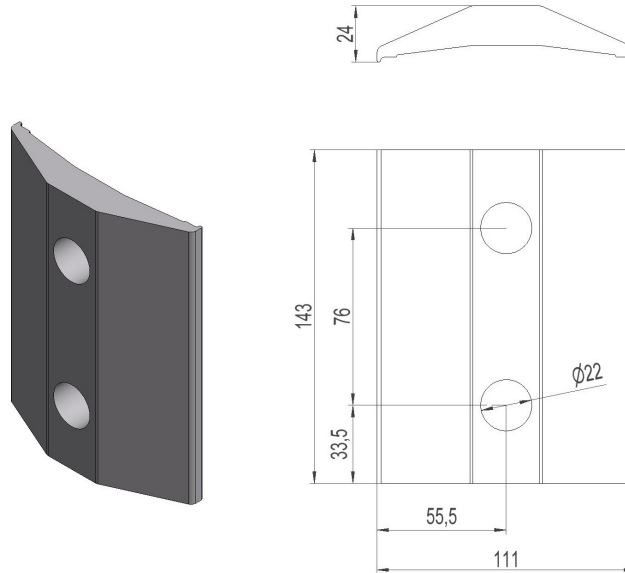


2836828 - Washer SA160DS



| | |
|-------------|---|
| Description | Washer length 143mm. Hole 2xØ22mm. Important: always to be used to the crossbar together with pole clamp. |
| Unit | PSC |
| Weight | 0,57 kg |
| Material | Aluminium, anodised-brown |