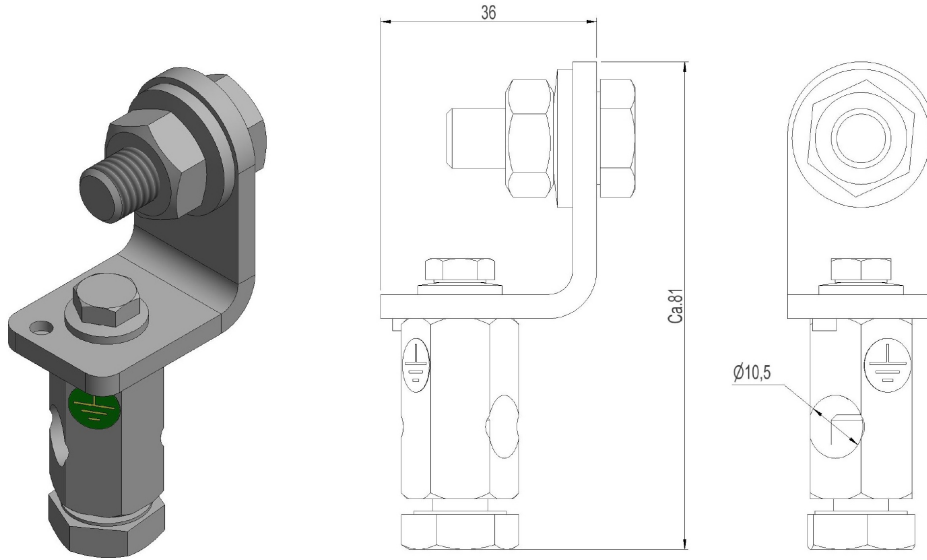


## 2836837 - Earthing clamp J10V



Description	Earthing clamp M10 90-degree. For all crossbars except cable cross bars. For earth wire KHF25-50. Should be used on crossbars with slot upwards.
Unit	PSC
Weight	0,16 kg
Material	Steel, stainless 316