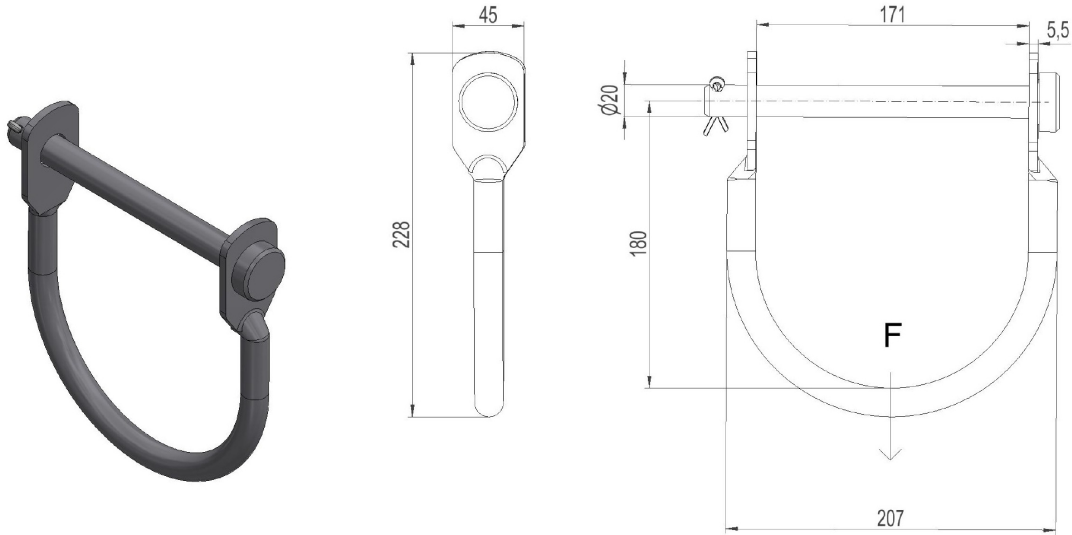


2836847 - Phase bracket B160-8E



Description	Phase stirrup bracket one-sided. Suits crossbar P3, P8, width 160. Unit set of 3.
Unit	SET
Weight	7,6 kg
Material	Steel galvanised
Breaking load (static)	115kN