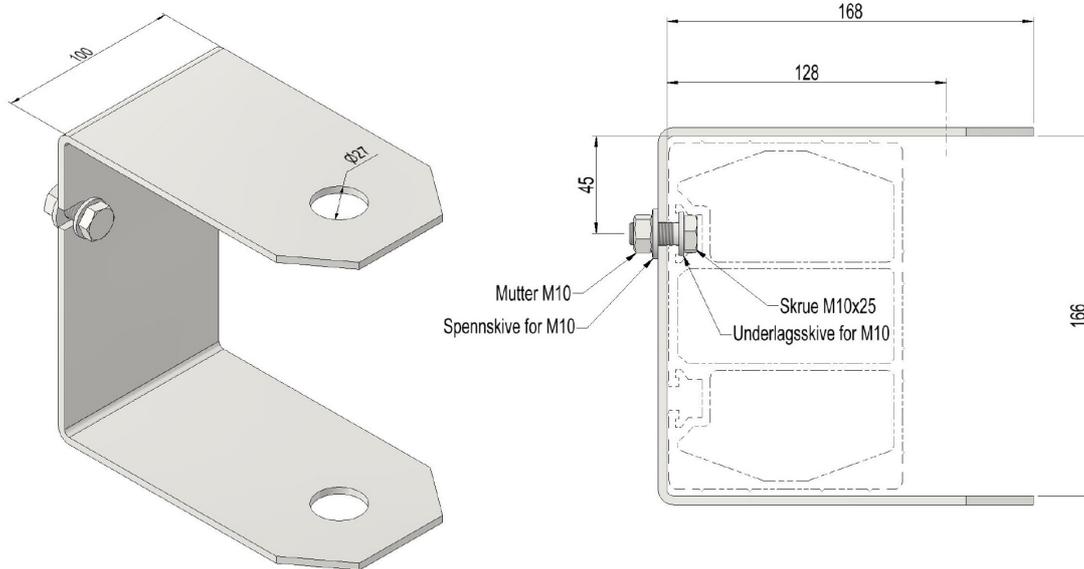


2836852 - Insulator bracket PF160-P3



Description	Insulator bracket for crossbars 160x107mm. With fasteners.
Unit	PSC
Weight	1,5 kg
Material	Steel galvanised