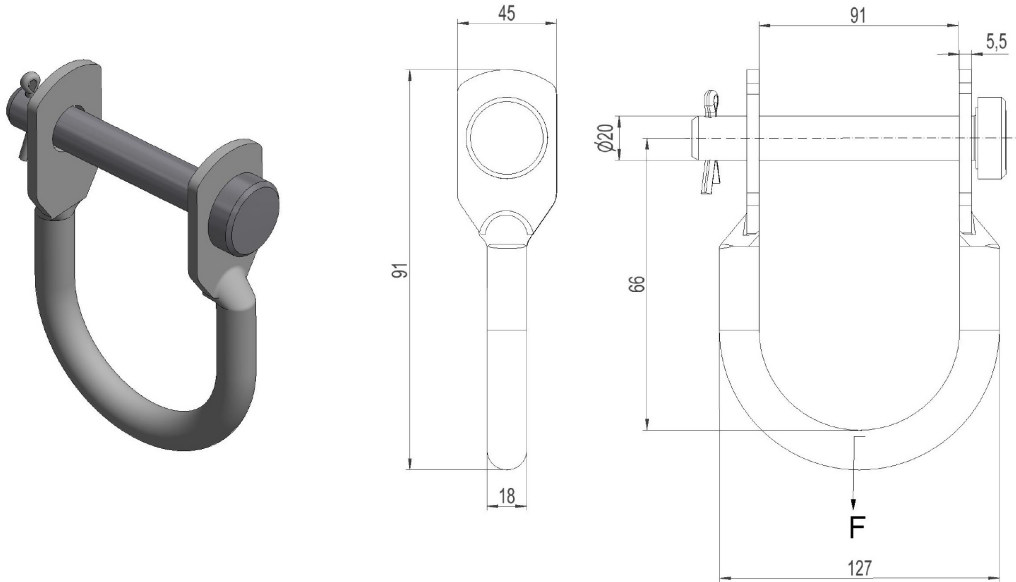


2836860 - Phase bracket B80E



Description	Phase stirrup bracket one-sided. Suits crossbar P2, width 80. Unit set of 3.
Unit	SET
Weight	3,6 kg
Material	Steel galvanised
Breaking load (static)	120kN