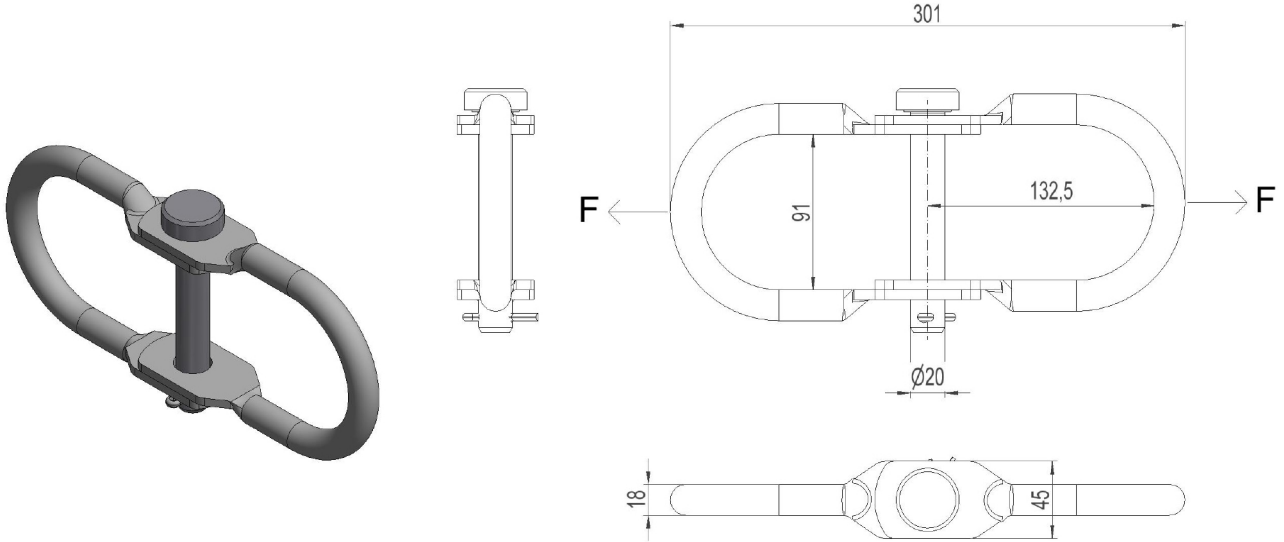


## 2836861 - Phase bracket B80T



Description	Phase stirrup bracket two-sided. Suits crossbar P2, width 80. Unit set of 3.
Unit	SET
Weight	5,8 kg
Material	Steel galvanised
Breaking load (static)	120kN