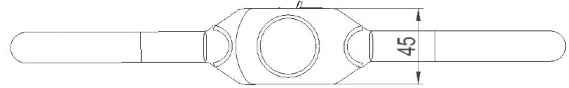
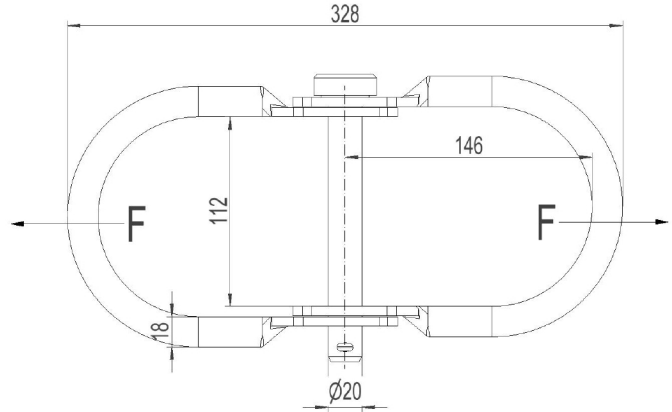
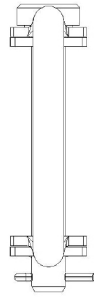
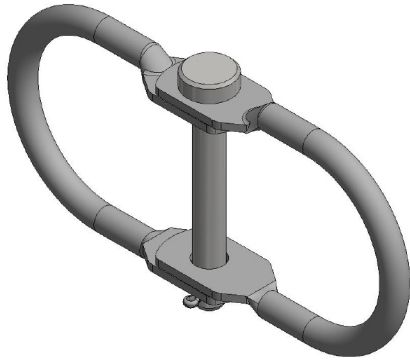


2836863 - Phase bracket B107T



Description	Phase stirrup bracket two-sided anchor. Suits crossbar P3, width 107. Unit set of 3.
Unit	SET
Weight	6,7 kg
Material	Steel galvanised
Breaking load (static)	115kN