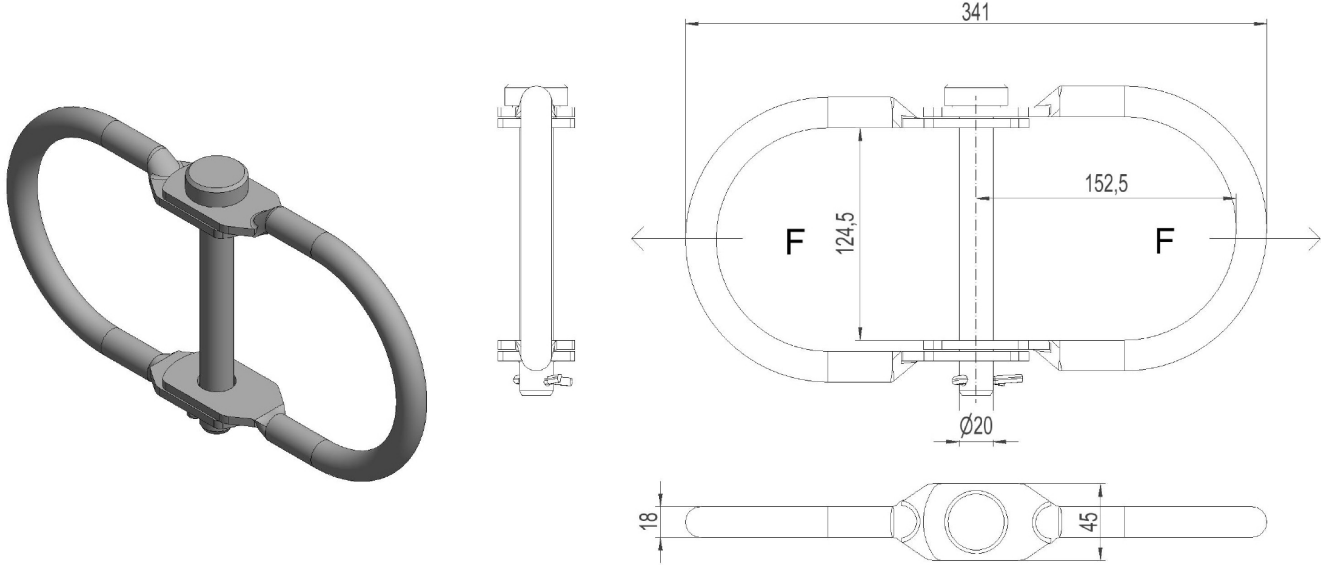


2836864 - Phase bracket B120TA



Description	Phase stirrup bracket two-sided. Suits crossbar P2, width 120. Unit set of 3.
Unit	SET
Weight	6,8 kg
Material	Steel galvanised
Breaking load (static)	110kN