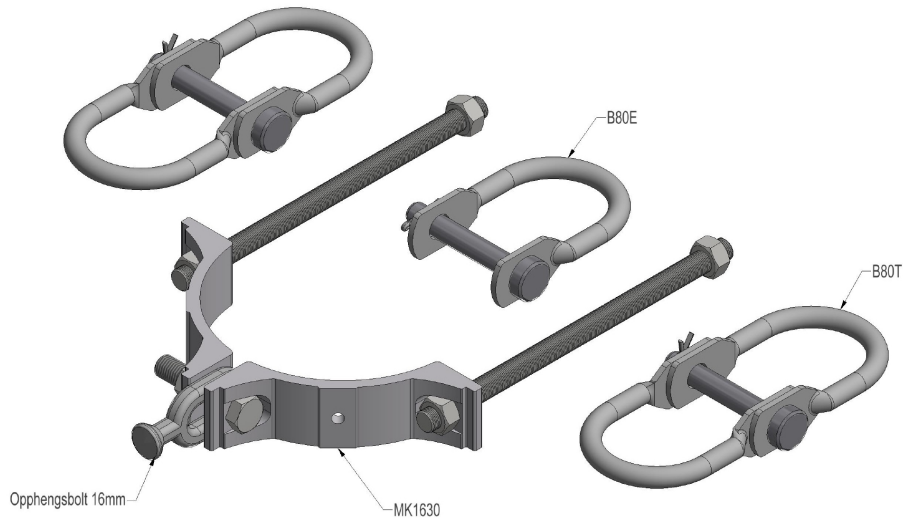


## 2836867 - Phase bracket BE80T



Description	Phase stirrup bracket two-sided with pole clamp. Suits crossbar TFE6S. Unit set of 3.
Unit	SET
Weight	9,3 kg
Material	Steel galvanised

