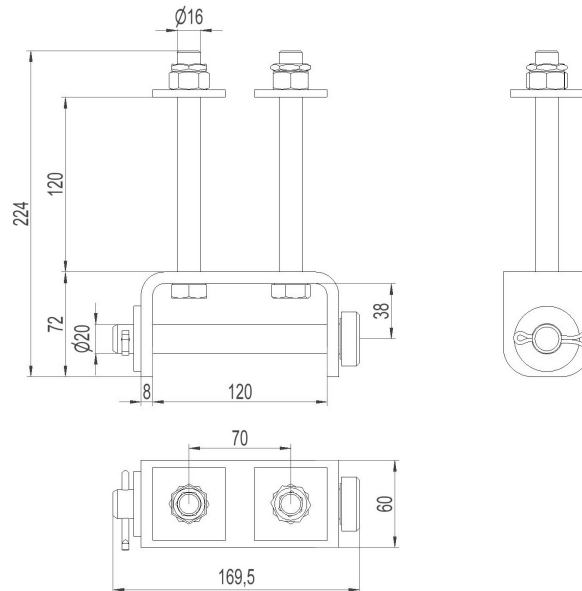


2836869 - Pendulum suspension PF2



Description	Pendulum suspension for chain insulator. For crossbar profile P2.
Unit	SET
Weight	6,9 kg
Material	Steel galvanised