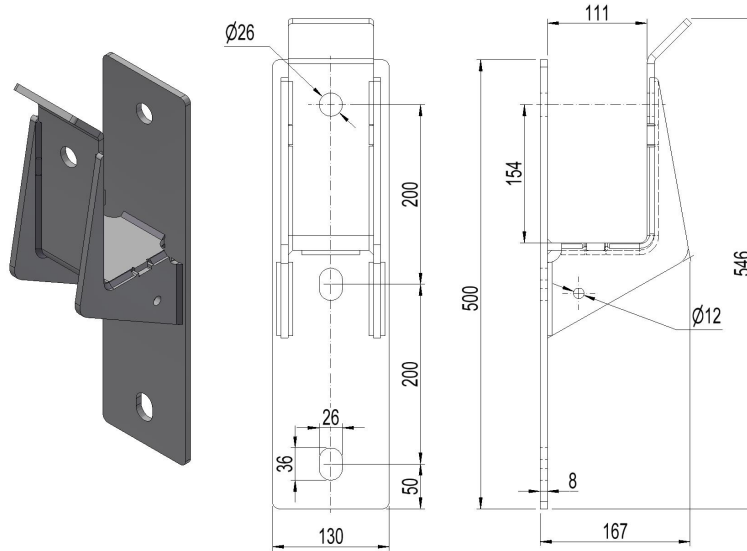


2837405 - Support bracket STB95



Description	Support for bolted connection. For crossbar profile 9 (width 95mm).
Unit	PSC
Weight	8,22 kg
Material	Steel galvanised
Pole fastening	Bolt