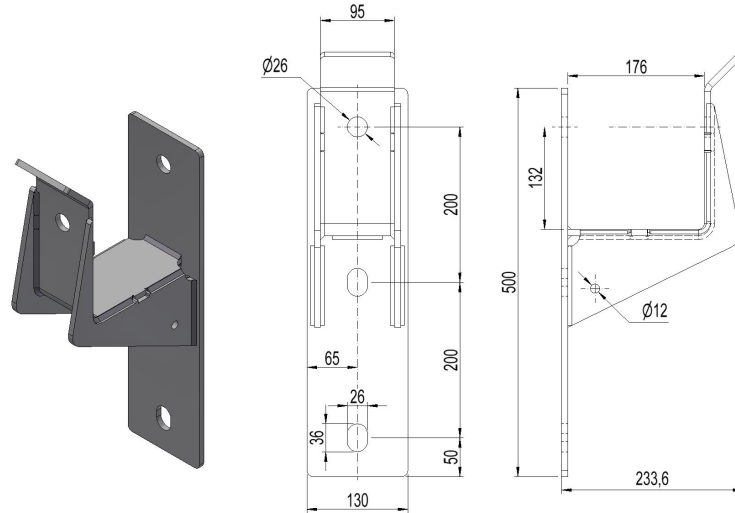


2837407 - Support bracket STB160-P7



Description	Support for bolted connection. For crossbar profile 7 (width 160mm).
Unit	PSC
Weight	9,15 kg
Material	Steel galvanised
Pole fastening	Bolt