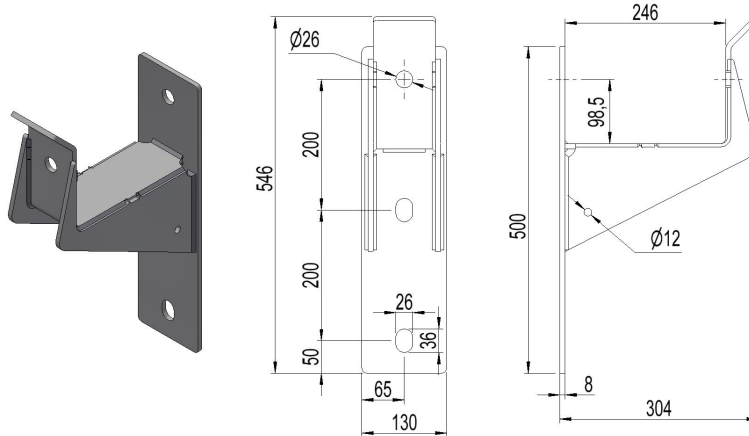


## 2837408 - Support bracket STB230



Description	Support for bolted connection. For crossbar profile 7 (width 230mm).
Unit	PSC
Weight	10,59 kg
Material	Steel galvanised
Pole fastening	Bolt