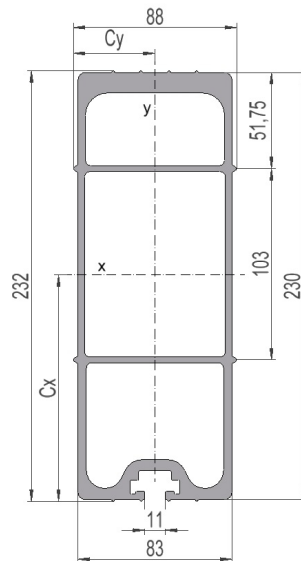


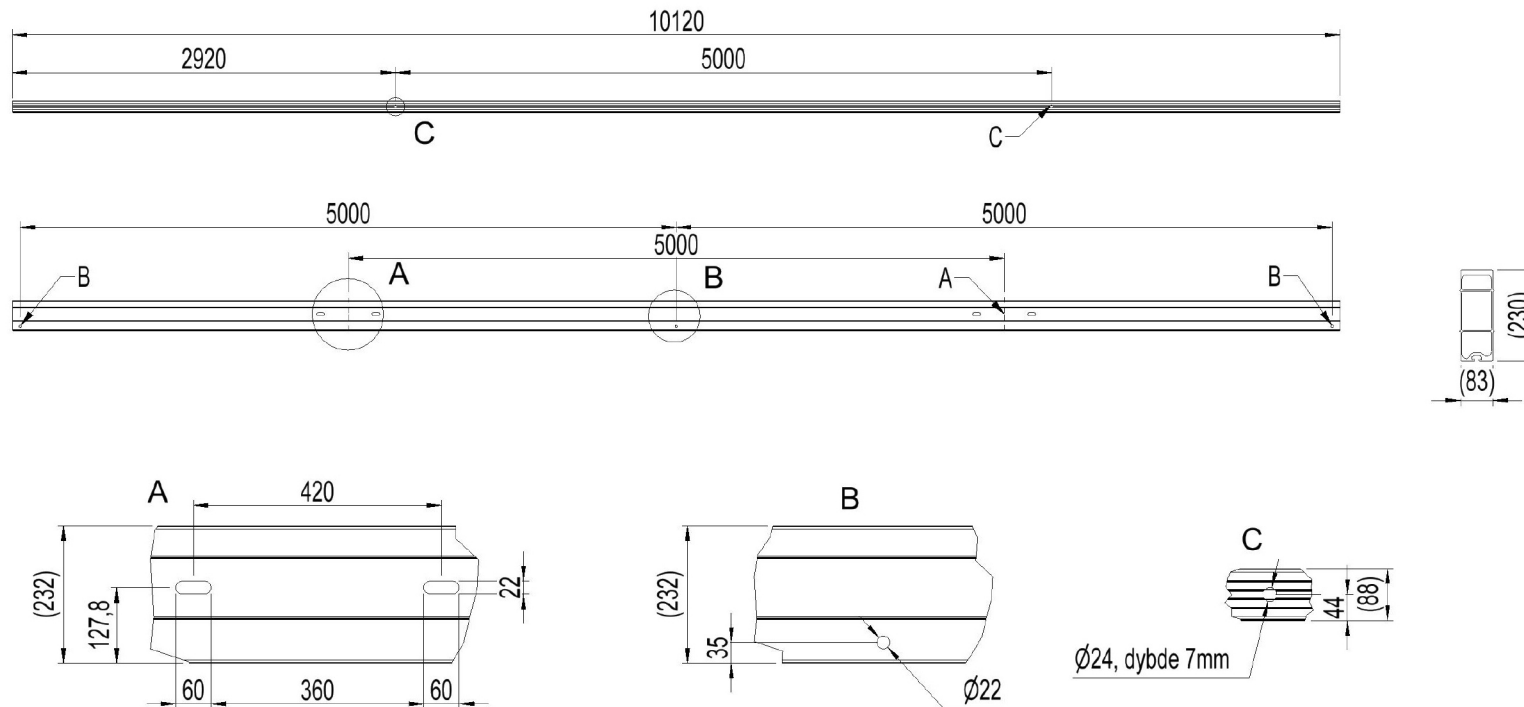
2837413 - Load-bearing crossbar T5050-42-6S

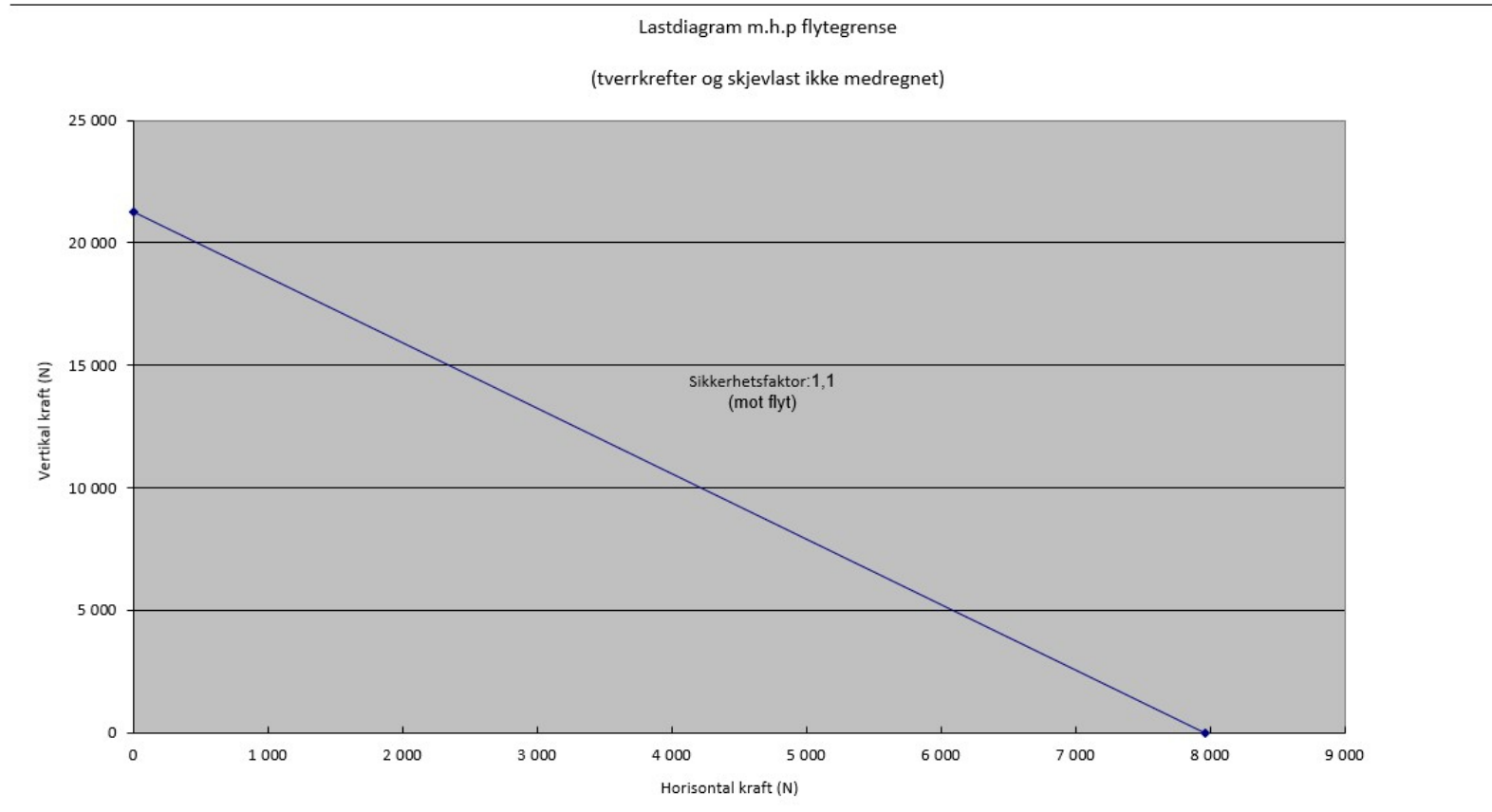
Cross arm type	H/A-pole
Pole distance	5m
Phase distance	5m
Pole fastening	420mm-single pole clamp

Crossbar profile P6 (standing)

Weight: (kg/m)	10.52
Cross section: (mm ²)	3897
Material:	Extruded aluminum, brown anodized
Alloy:	AlMgSi 6082-T6
Moment of resistance: (mm ³)	W _x = 233 884 W _y = 87 555
Area moment of inertia: (mm ⁴)	I _x = 28 325 925 I _y = 3 852 424
Center distance for I _x : (mm)	C _x = 121,11
Center distance for I _y : (mm)	C _y = 44,00
Minimum yield strength 0,2: (N/mm ²)	250
Minimum breaking load: (N/mm ²)	290







Total bøyning travers i forhold til last

