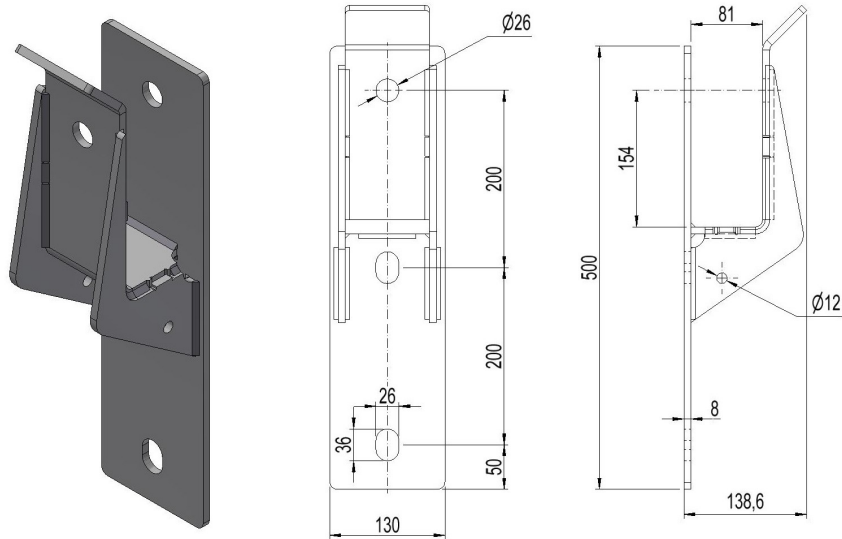


2837416 - Support bracket STB65



Description	Support for bolted connection. For crossbar profile 4 and 5 (width 65mm).
Unit	PSC
Weight	7,8 kg
Material	Steel galvanised
Pole fastening	Bolt