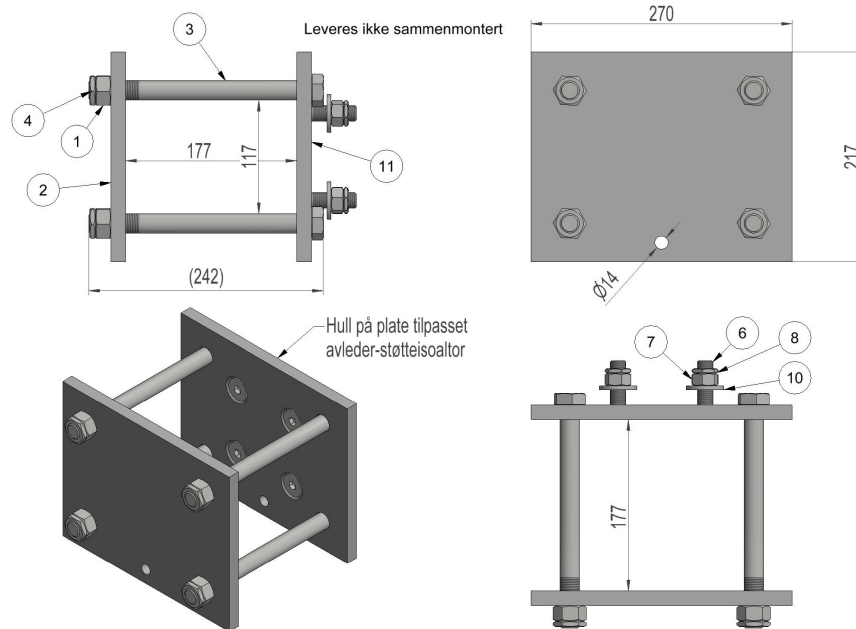


## 2837429 - Insulator bracket FAS-107R



Description	Insulator bracket. For crossbar P3, width 107mm. For mounting of overvoltage surge arrester or insulator onto crossbar.
Unit	PSC
Weight	5,33 kg
Material	Aluminium