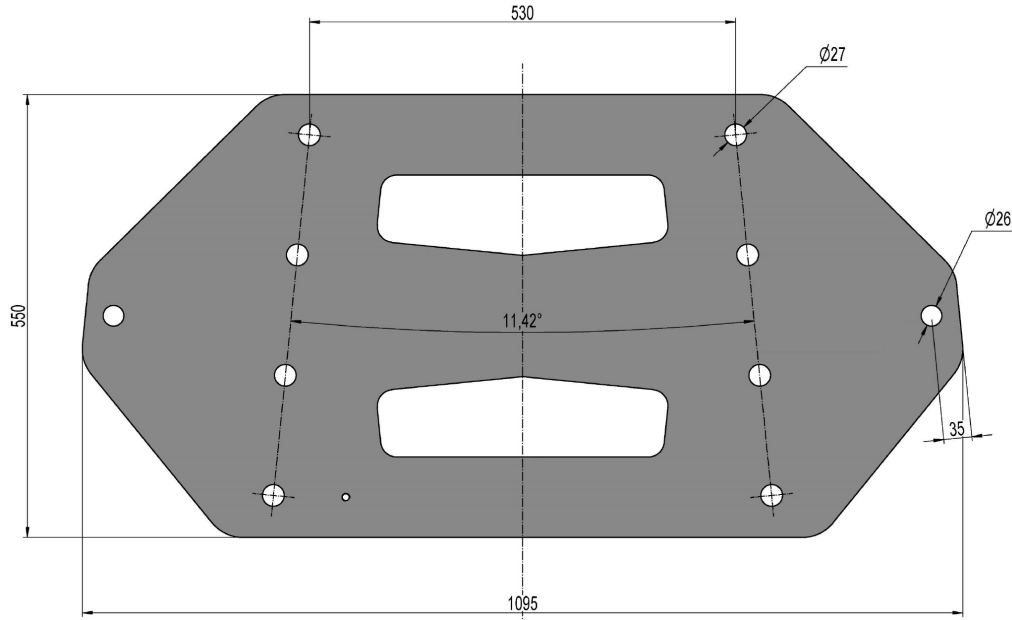


2837442 - Phase bracket FFK1-5-530



Description	Phase bracket for A-pole 1:5 angle ratio. Distance upper holes: 530mm. For 1 pole. Delivered with square washers without bolts.
Unit	PSC
Weight	87 kg
Material	Steel galvanised
Hardness	170HB