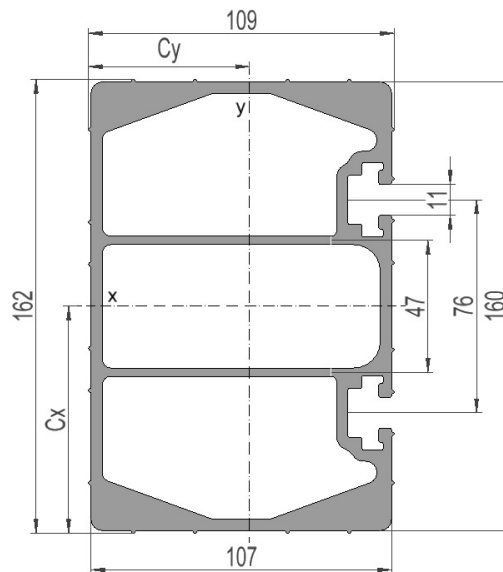


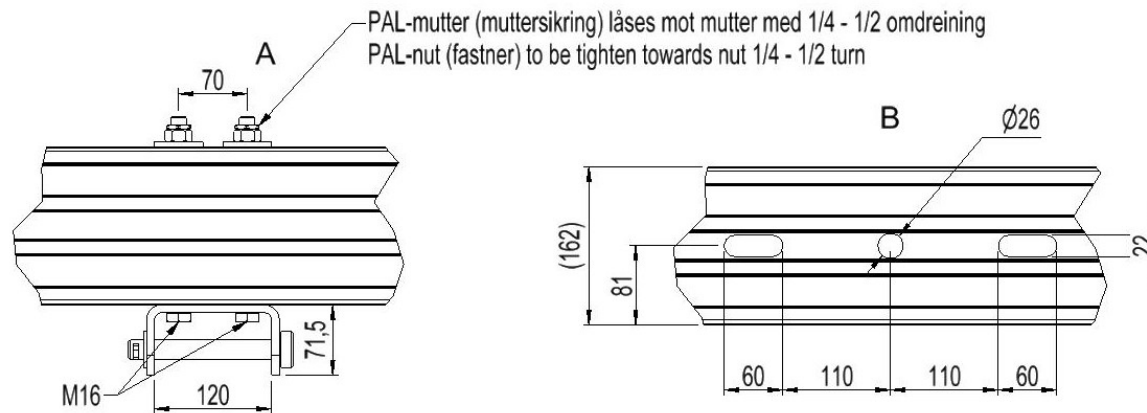
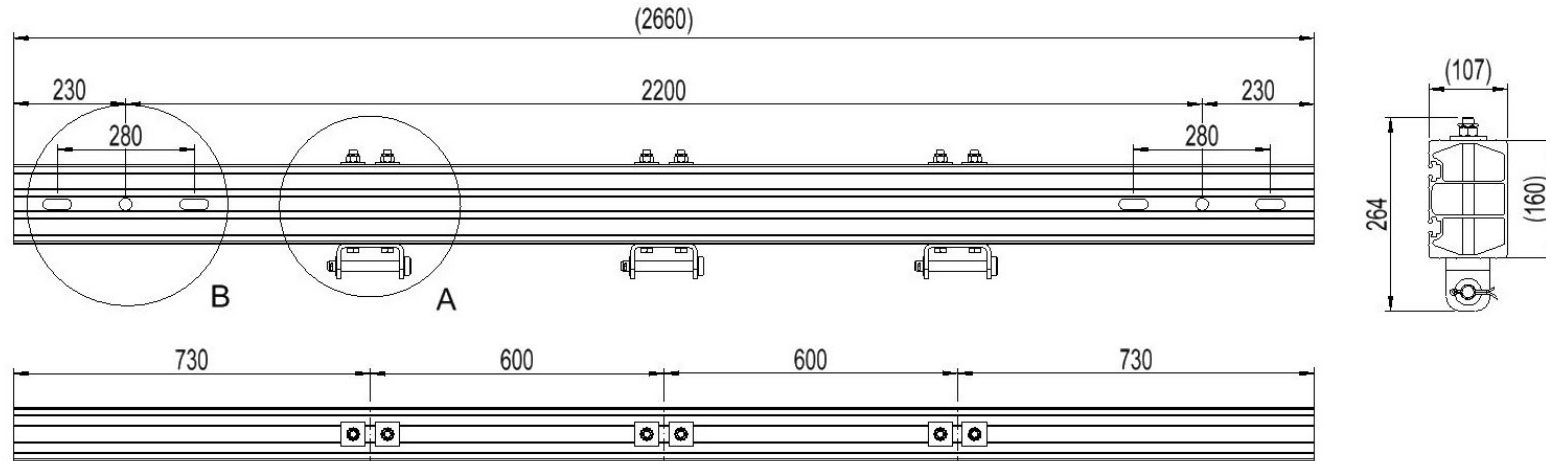
2837448 - Load-bearing crossbar T2206-3PF

Cross arm type	H/A-pole
Pole distance	2,2m
Phase distance	0,6m
Pole fastening	Bolt, 280mm-single poleclamp

Crossbar profile P3 (standing)

Weight: (kg/m)	11.238
Cross section: (mm ²)	4162
Material:	Extruded aluminum, brown anodized
Alloy:	AlMgSi 6082-T6
Moment of resistance: (mm ³)	W _x = 176 412 W _y = 114 771
Area moment of inertia: (mm ⁴)	I _x = 14 286 921 I _y = 6 593 950
Center distance for I _x : (mm)	C _x = 80,99
Center distance for I _y : (mm)	C _y = 57,45
Minimum yield strength 0,2: (N/mm ²)	250
Minimum breaking load: (N/mm ²)	290





Lastdiagram m.h.p flytegrense

(tverkkrefter og skjevlast ikke medregnet)

