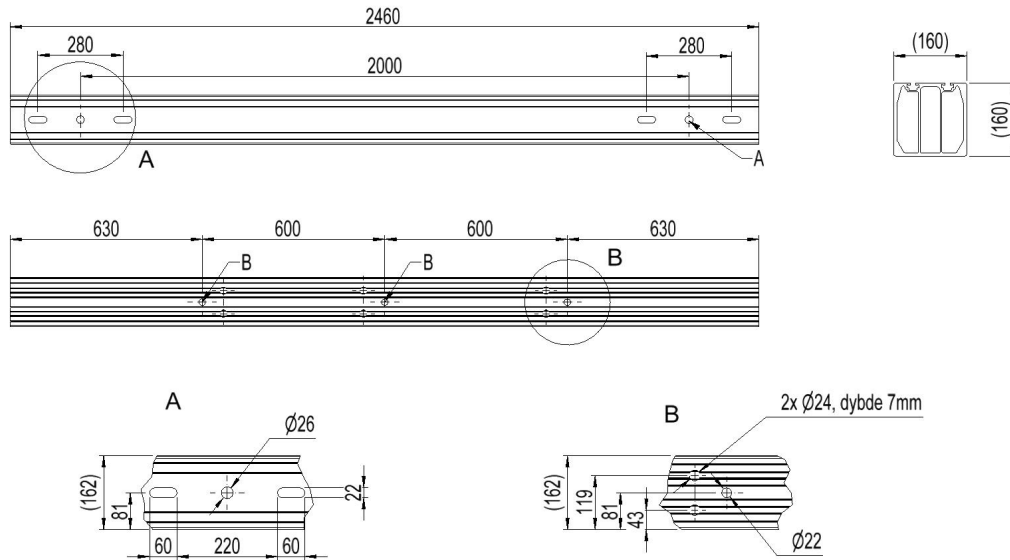


2837449 - Anch. crossbar TAF2006-8S



Description	Anchoring crossbar for one-sided and two-sided connection. 2-pole Pole distance 2m, phase distance 0,6m.
Unit	PSC
Weight	41,5 kg
Material	Aluminium, anodised-brown
Crossarm type	H/A-pole
Pole distance	2m
Phase distance	0,6m
Pole fastening	Bolt, 280mm-single poleclamp
Crossbar profile	P8 (160x160)