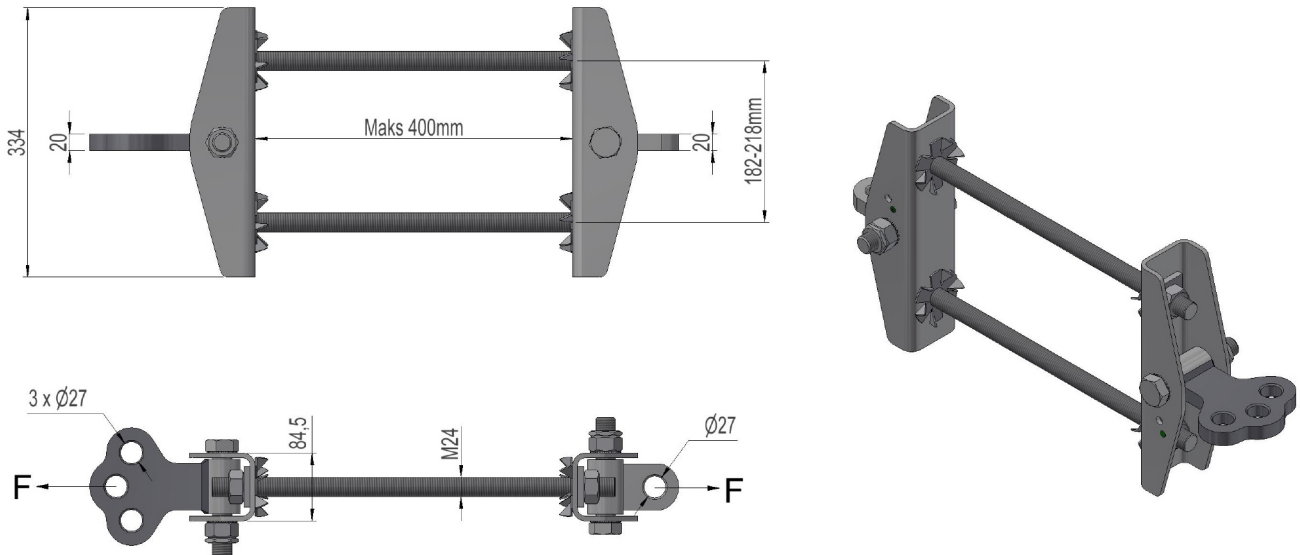


2837474 - Phase/wire bracket FB200-3T



Description	Phase/wire bracket two-sided with 3 wire holes. With bolts M24 and bolt distance 182-218mm.
Unit	PSC
Weight	15 kg
Material	Steel galvanised
Breaking load (static)	200kN
Hardness	Flag; 170HB