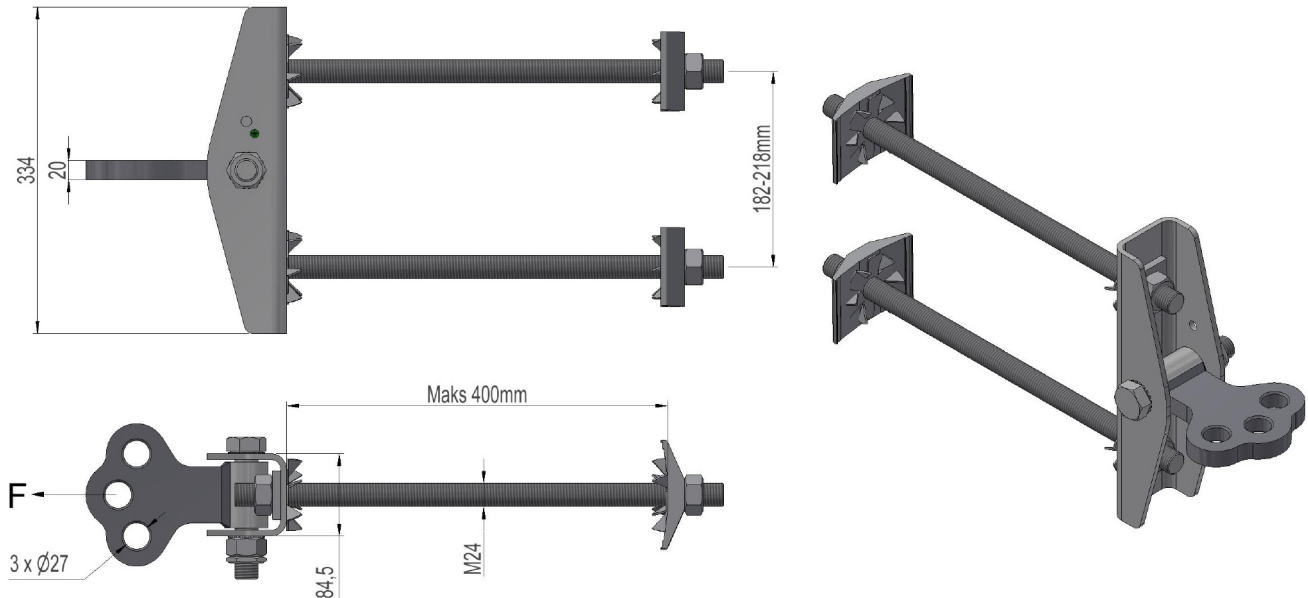


2837475 - Phase/wire bracket FFE200-3



Description	Phase/wire bracket one-sided with 3 holes for wires. With bolts M24 and bolt distance 182-218mm.
Unit	PSC
Weight	11 kg
Material	Steel galvanised
Breaking load (static)	160kN
Hardness	Flag; 170HB