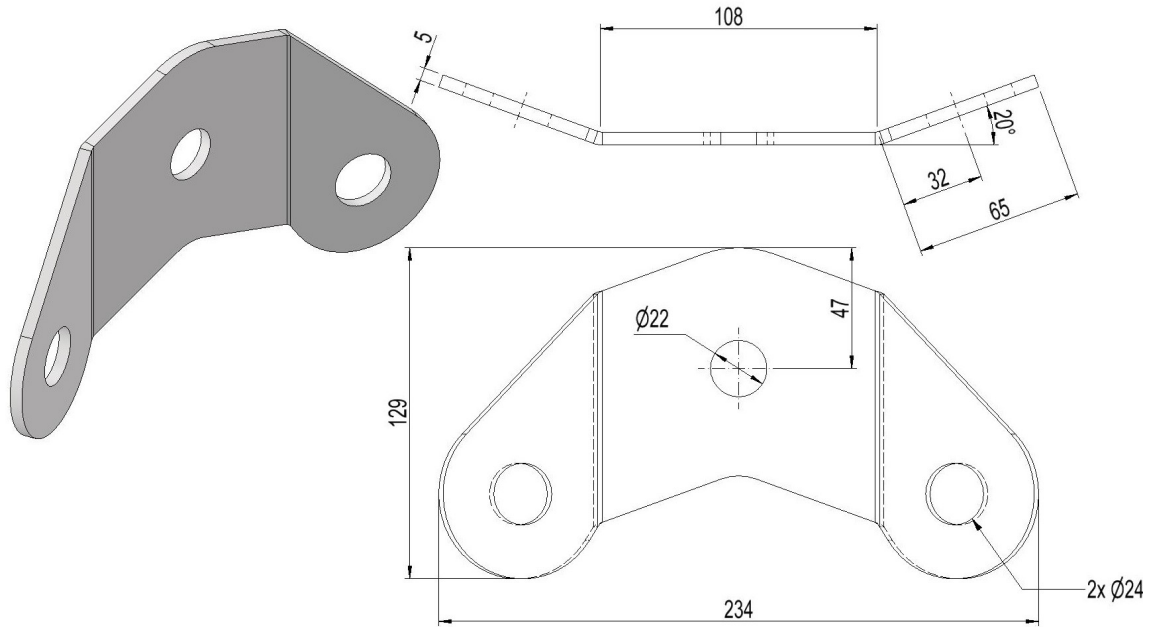


2837477 - Guy-wire Bracket BFE



Description	Bracket for TE5TS and TFE6S for Guy-wire mount
Unit	PSC
Weight	1 kg
Material	Steel galvanised
Crossarm type	E-pole
Pole fastening	280mm-single poleclamp, 340mm-single pole clam
Fastening method	Pole