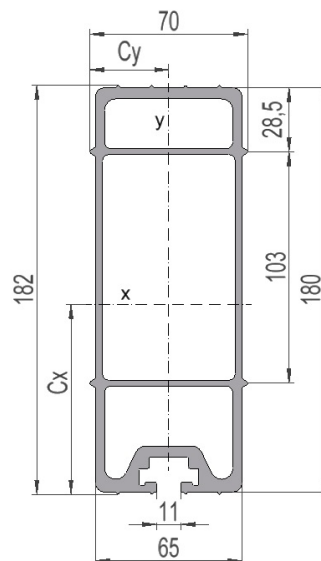


## 2837479 - Crossbar T3OE-3030-34-4S

Cross arm type	Triple pole
Pole distance	3m
Phase distance	3m
Pole fastening	340mm-single pole clamp

### Crossbar profile P4 (standing)

Weight: (kg/m)	6.438
Cross section: (mm <sup>2</sup> )	2385
Material:	Extruded aluminum, brown anodized
Alloy:	AlMgSi 6005A-T6
Moment of resistance: (mm <sup>3</sup> )	W <sub>x</sub> = 120 354 W <sub>y</sub> = 42 751
Area moment of inertia: (mm <sup>4</sup> )	I <sub>x</sub> = 10 178 454 I <sub>y</sub> = 1 496 283
Center distance for I <sub>x</sub> : (mm)	C <sub>x</sub> = 84,57
Center distance for I <sub>y</sub> : (mm)	C <sub>y</sub> = 35,00
Minimum yield strength 0,2: (N/mm <sup>2</sup> )	215
Minimum breaking load: (N/mm <sup>2</sup> )	255



# DATASHEET

2837479 - T3OE-3030-34-4S

