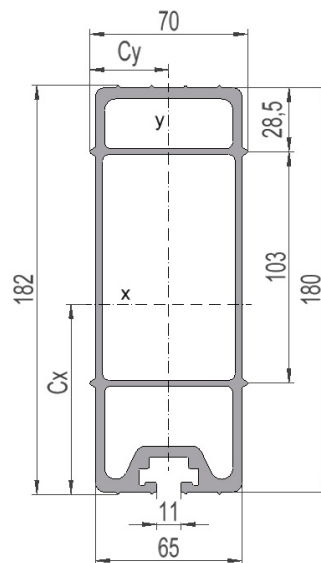


## 2837480 - Crossbar T3OE-3030-42-4S

Cross arm type	Triple pole
Pole distance	3m
Phase distance	3m
Pole fastening	420mm-single pole clamp

### Crossbar profile P4 (standing)

Weight: (kg/m)	6.438
Cross section: (mm <sup>2</sup> )	2385
Material:	Extruded aluminum, brown anodized
Alloy:	AlMgSi 6005A-T6
Moment of resistance: (mm <sup>3</sup> )	W <sub>x</sub> = 120 354 W <sub>y</sub> = 42 751
Area moment of inertia: (mm <sup>4</sup> )	I <sub>x</sub> = 10 178 454 I <sub>y</sub> = 1 496 283
Center distance for I <sub>x</sub> : (mm)	C <sub>x</sub> = 84,57
Center distance for I <sub>y</sub> : (mm)	C <sub>y</sub> = 35,00
Minimum yield strength 0,2: (N/mm <sup>2</sup> )	215
Minimum breaking load: (N/mm <sup>2</sup> )	255

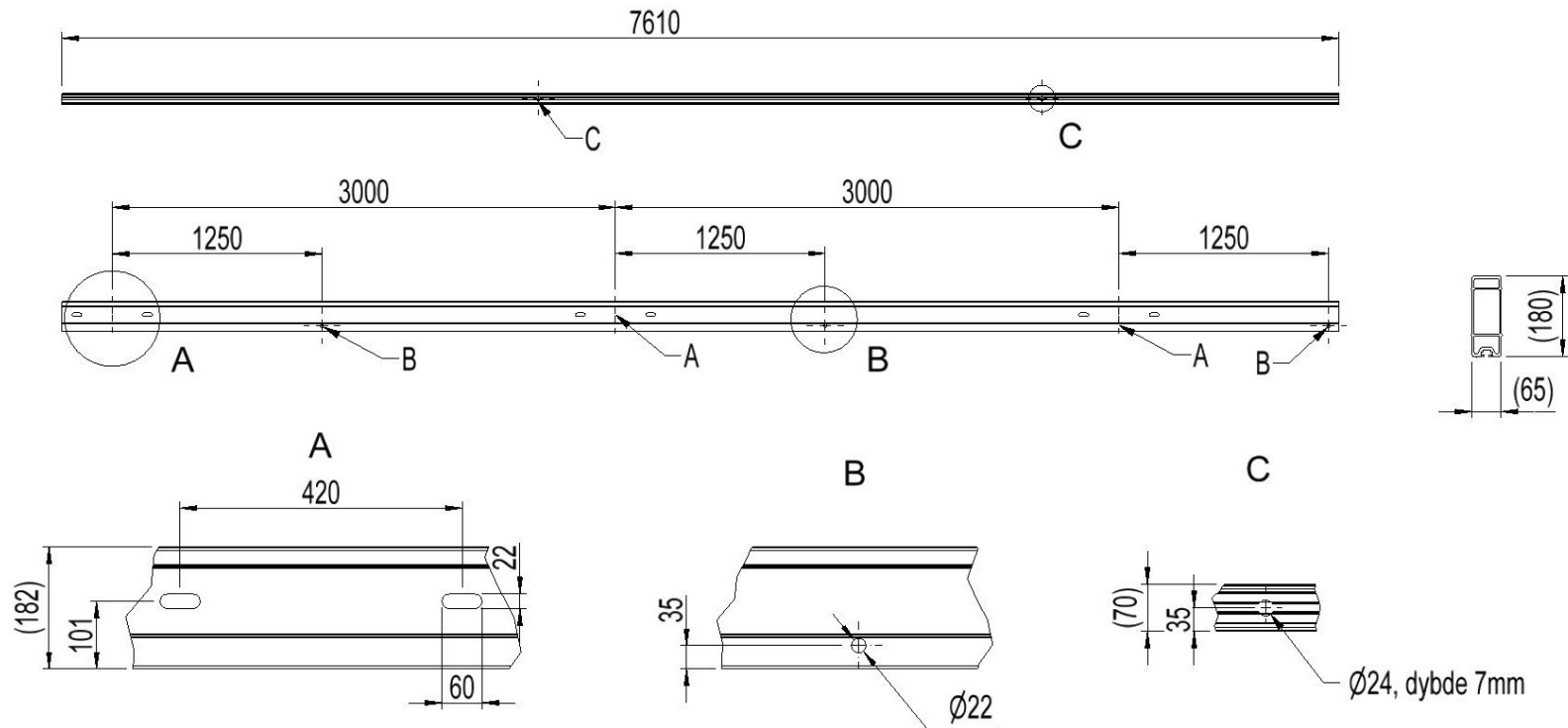


# DATASHEET

2837480 - T3OE-3030-42-4S

**EL-tjeneste as**

Norwegian quality and innovation



Sales and development, Trondheim

Østre Rosten 84G  
7075 Tiller  
Phone: 976 74 000  
Email: info@el-tjeneste.no

Factory and warehouse, Steinkje

Jæktsmedgata 4  
7725 Steinkjer  
Phone: 976 74 000  
Email: info@el-tjeneste.no