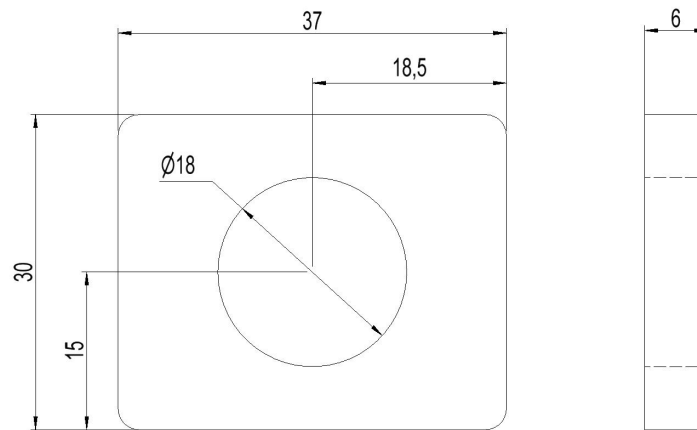


2837485 - Washer SUP18H



Description	Washer with 18mm hole Used in combination with M16 hex head bolt in track on aluminiumprofile UP1012 and UNI-Rail, for connecting attachments.
Unit	PSC
Weight	0,052 kg
Material	Steel, stainless 316