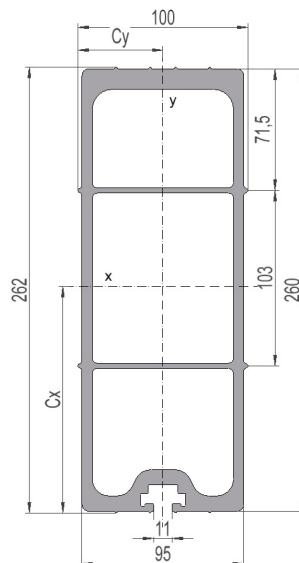


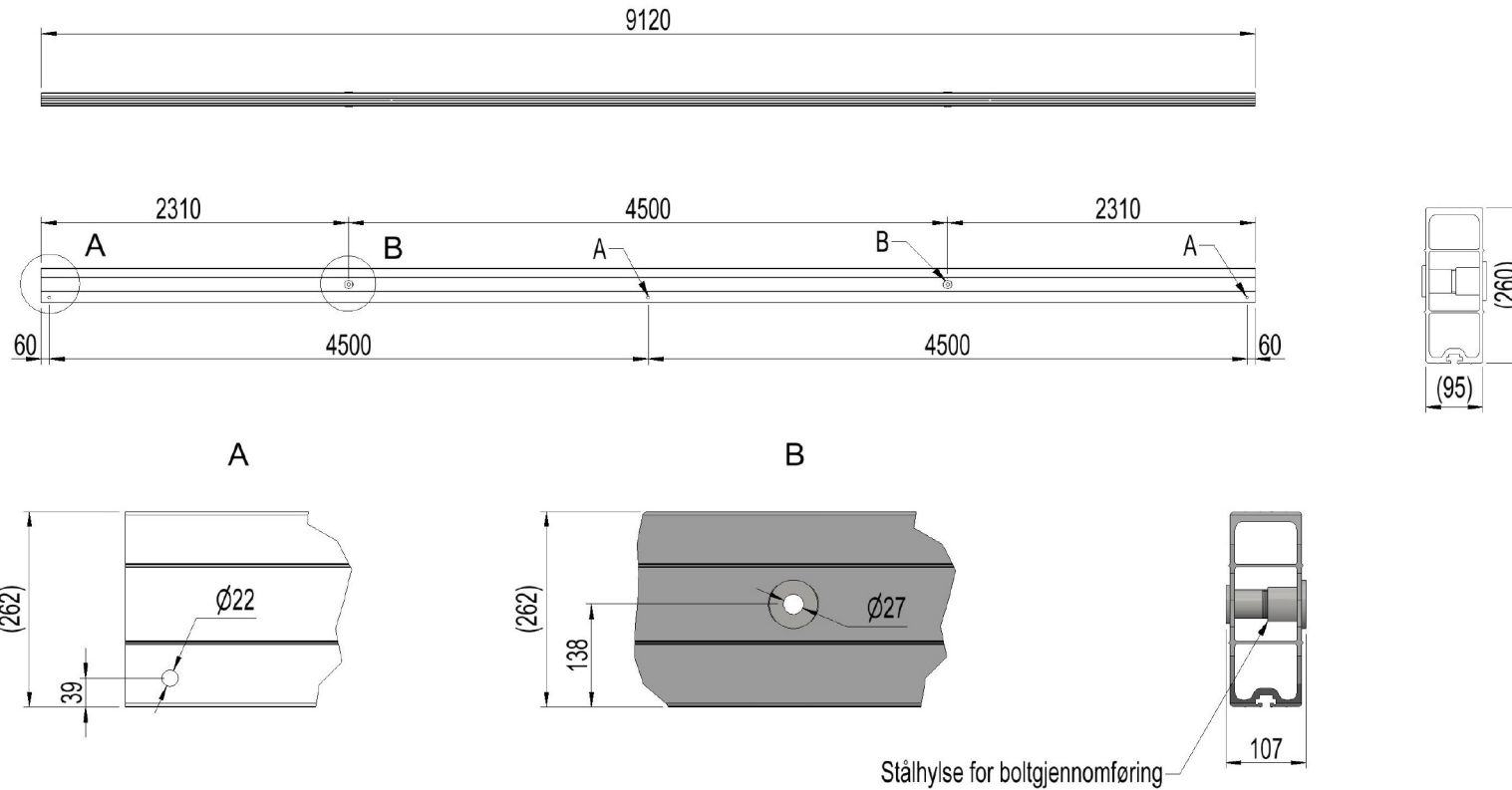
## 2837486 - Load-bearing crossbar T4545BH-9S

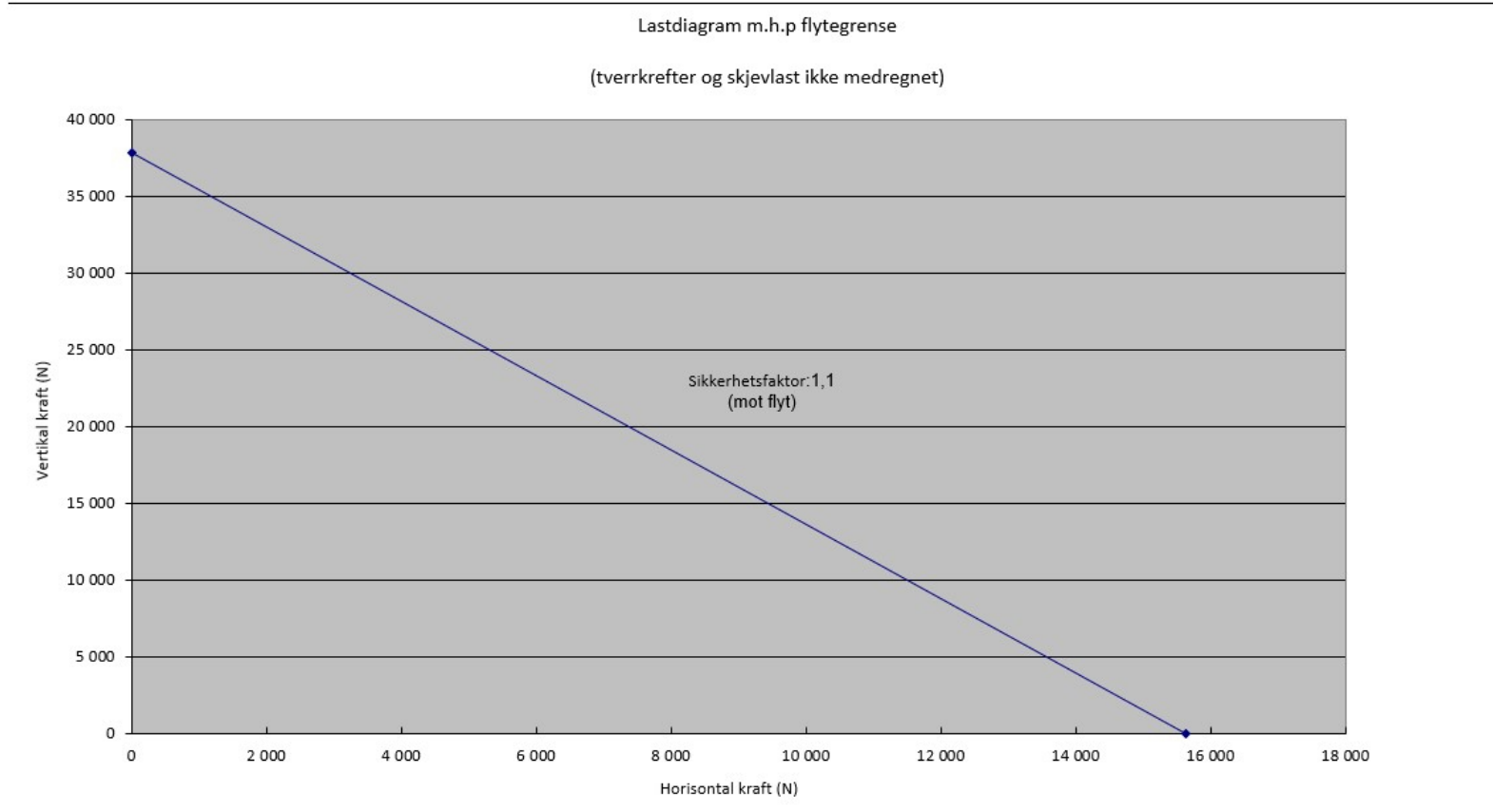
|                |                       |
|----------------|-----------------------|
| Cross arm type | H-pole                |
| Pole distance  | 4,5m                  |
| Phase distance | 4,5m                  |
| Pole fastening | Bolt with bolt sleeve |

### Crossbar profile P9 (standing)

|  |   |
|--|---|
| Weight: (kg/m)                                   | 15.455  |
| Cross section: (mm <sup>2</sup> )                | 5724  |
| Material:  | Extruded aluminum, brown anodized                         |
| Alloy:   | AlMgSi 6082-T6  |
| Moment of resistance: (mm <sup>3</sup> )         | W <sub>x</sub> = 373 840<br>W <sub>y</sub> = 154 772      |
| Area moment of inertia: (mm <sup>4</sup> )       | I <sub>x</sub> = 49 796 982<br>I <sub>y</sub> = 7 738 580 |
| Center distance for I <sub>x</sub> : (mm)        | C <sub>x</sub> = 133,20                                   |
| Center distance for I <sub>y</sub> : (mm)        | C <sub>y</sub> = 50,00                                    |
| Minimum yield strength 0,2: (N/mm <sup>2</sup> ) | 250   |
| Minimum breaking load: (N/mm <sup>2</sup> )      | 290   |







Total bøyning travers i forhold til last

