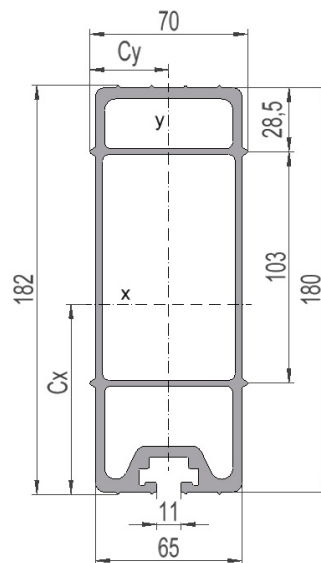


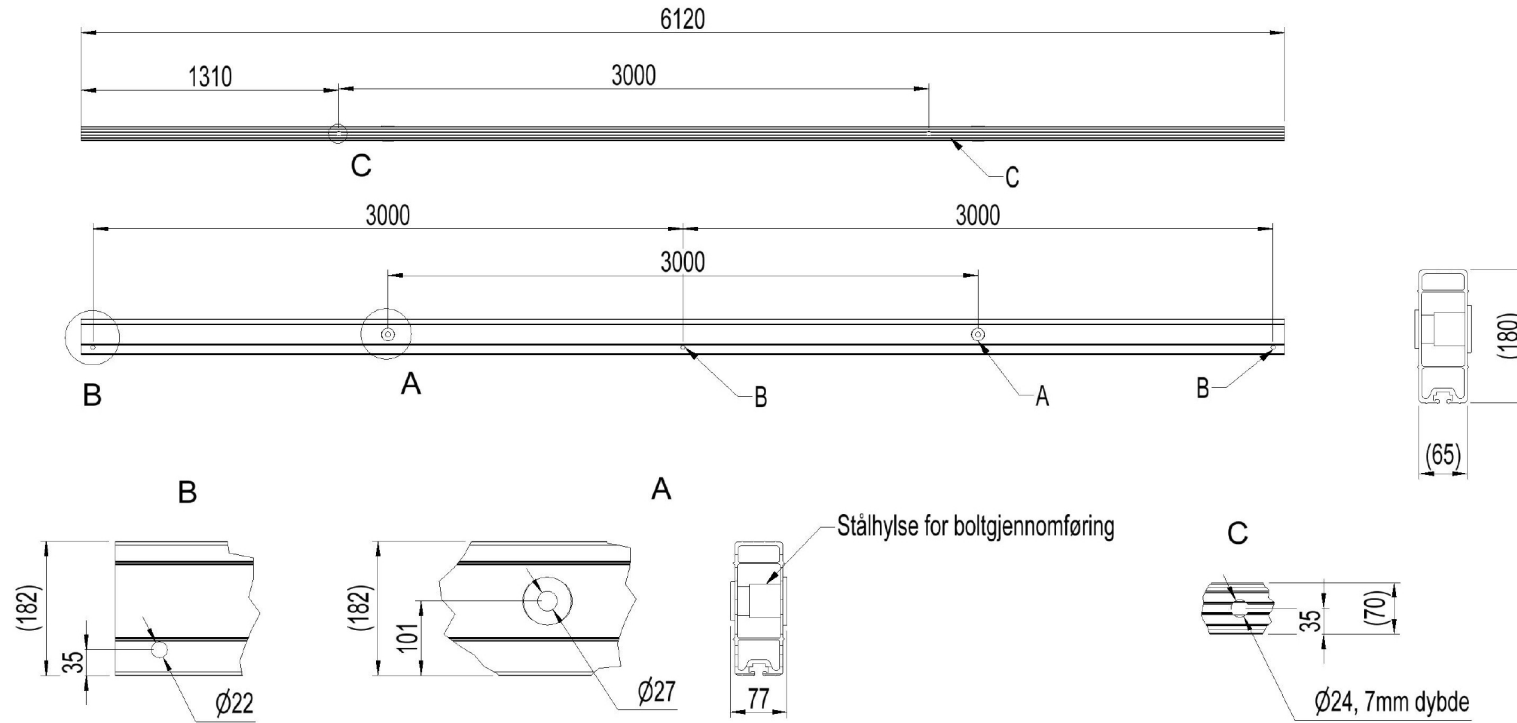
2837487 - Load-bearing crossbar T3030BH-4S

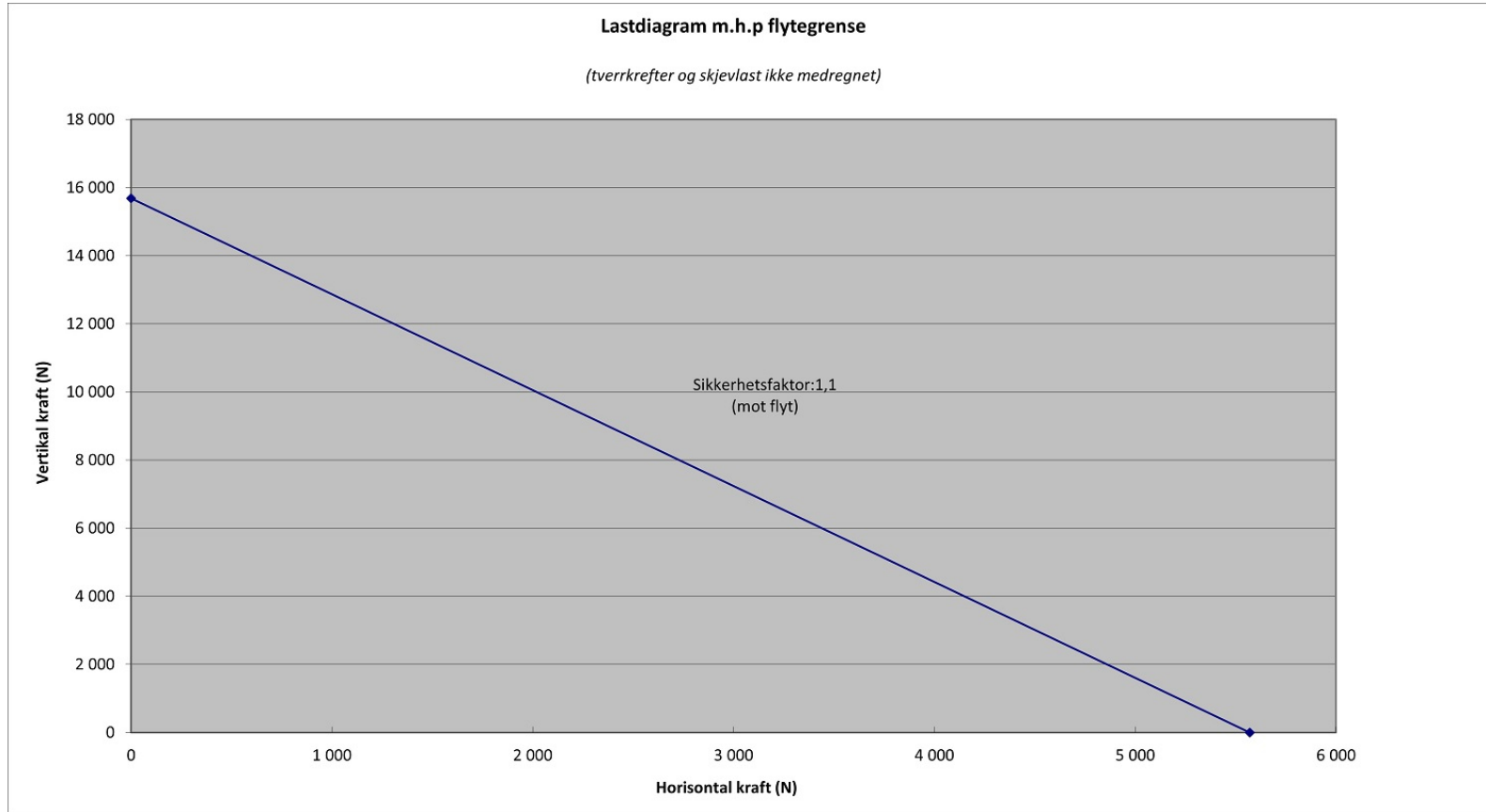
Cross arm type	H-pole
Pole distance	3m
Phase distance	3m
Pole fastening	Bolt with bolt sleeve

Crossbar profile P4 (standing)

Weight: (kg/m)	6.438
Cross section: (mm ²)	2385
Material:	Extruded aluminum, brown anodized
Alloy:	AlMgSi 6005A-T6
Moment of resistance: (mm ³)	W _x = 120 354 W _y = 42 751
Area moment of inertia: (mm ⁴)	I _x = 10 178 454 I _y = 1 496 283
Center distance for I _x : (mm)	C _x = 84,57
Center distance for I _y : (mm)	C _y = 35,00
Minimum yield strength 0,2: (N/mm ²)	215
Minimum breaking load: (N/mm ²)	255







Total bøyning travers i forhold til last

