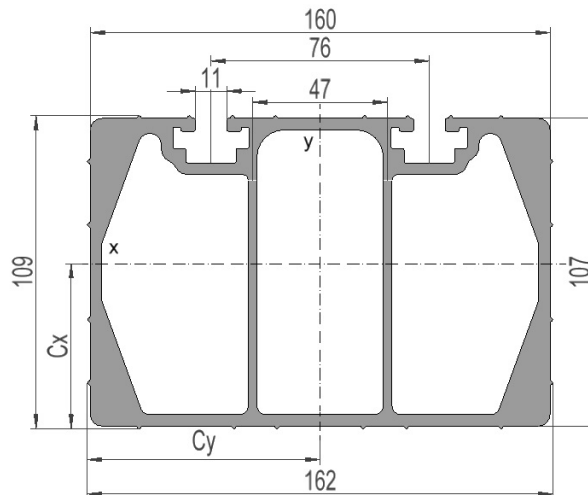


2837720 - Anch.crossbar T3AFO-3030-34-3S

Cross arm type	Triple pole
Pole distance	3m
Phase distance	3m
Pole fastening	340mm-single pole clamp

Crossbar profile P3 (laying)

Weight: (kg/m)	11.238
Cross section: (mm ²)	4162
Material:	Extruded aluminum, brown anodized
Alloy:	AlMgSi 6082-T6
Moment of resistance: (mm ³)	W _x = 114 771 W _y = 176 412
Area moment of inertia: (mm ⁴)	I _x = 6 593 950 I _y = 14 286 921
Center distance for I _x : (mm)	C _x = 57,45
Center distance for I _y : (mm)	C _y = 80,99
Minimum yield strength 0,2: (N/mm ²)	250
Minimum breaking load: (N/mm ²)	290



DATASHEET

2837720 - T3AFO-3030-34-3S

