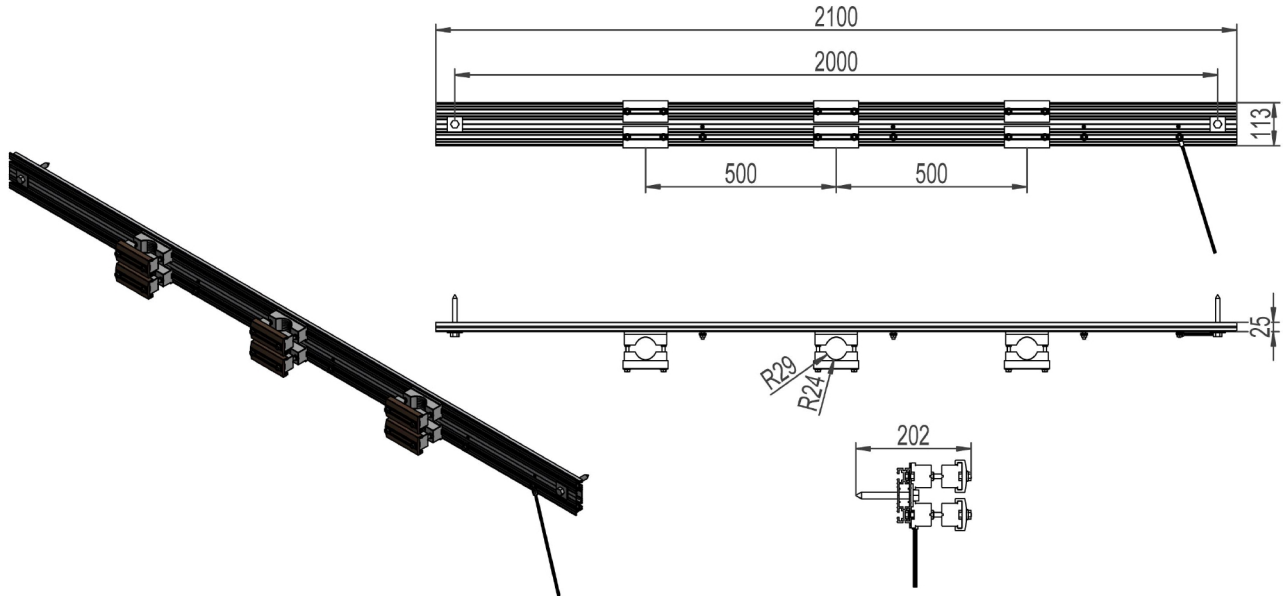


2837725 - Cable crossbar TH342



Description	Cable crossbar 2-pole for 3 cables Ø42-60mm. Pole distance 2m. phase distance adjustable. With cable clamps and fasteners.
Unit	PSC
Weight	5,6 kg
Material	Aluminium, anodised-brown
Crossarm type	H/A-pole
Pole distance	2m
Phase distance	0,5m
Crossbar profile	Cable (23x95)
Number of cables	3pcs
Suitable for cable diameter	Ø42-60mm