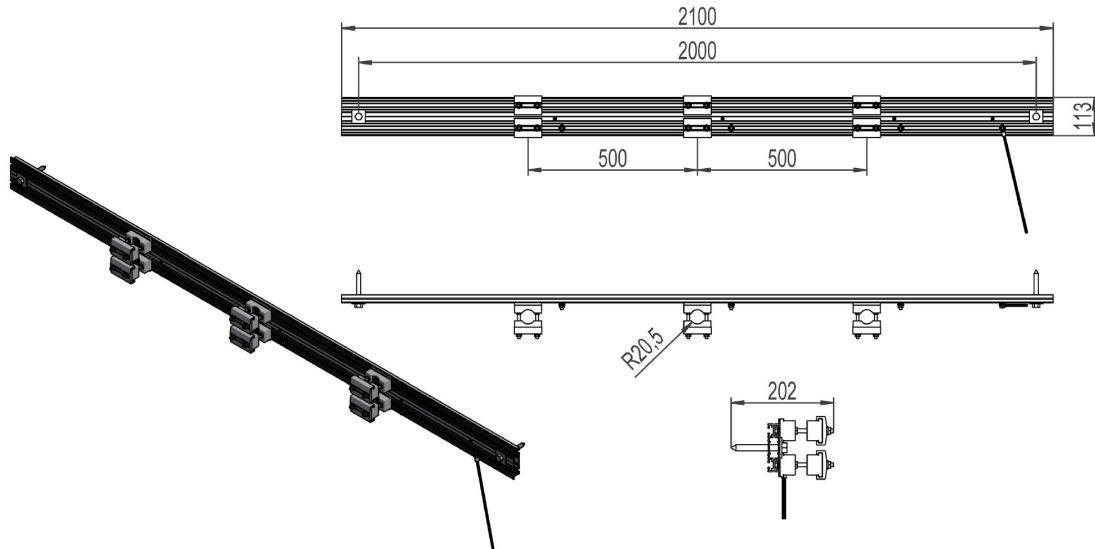


2837730 - Cable crossbar TH31



Description	Cable crossbar 2-pole for 3 cables Ø22-42mm. Pole distance 2m, phase distance adjustable. With cable clamps and fasteners.
Unit	PSC
Weight	5,6 kg
Material	Aluminium, anodised-brown
Crossarm type	H/A-pole
Pole distance	2m
Phase distance	0,5m
Crossbar profile	Cable (23x95)
Number of cables	3pcs
Suitable for cable diameter	Ø22-42mm