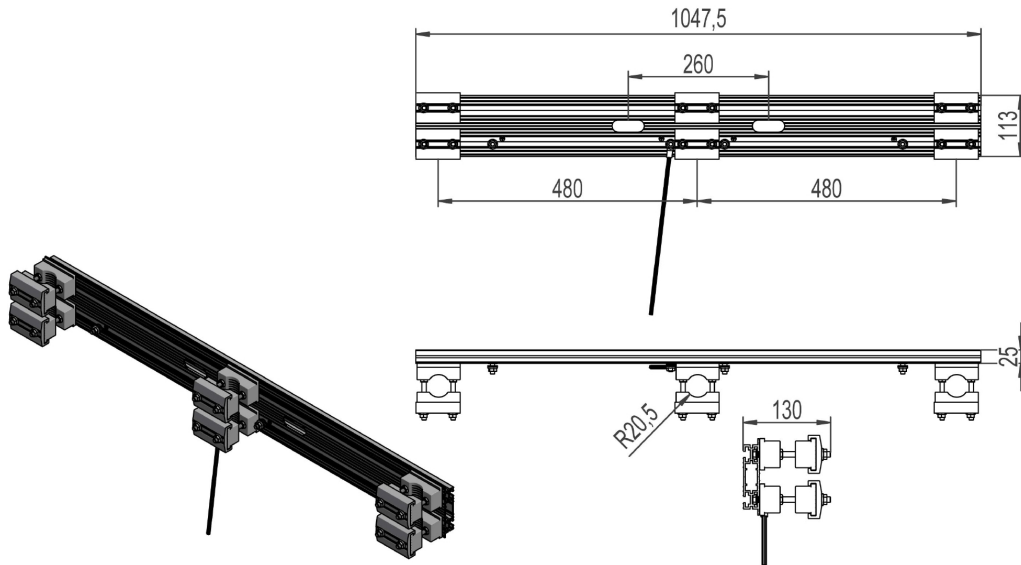


2837735 - Cable crossbar TKE31



Description	Cable crossbar 1-pole for 3 cables Ø22-42mm. phase distance 0,5m. With cable clamps and fasteners.
Unit	PSC
Weight	3,2 kg
Material	Aluminium, anodised-brown
Crossarm type	E-pole
Phase distance	0,5m
Crossbar profile	Cable (23x95)
Number of cables	3pcs
Suitable for cable diameter	Ø22-42mm