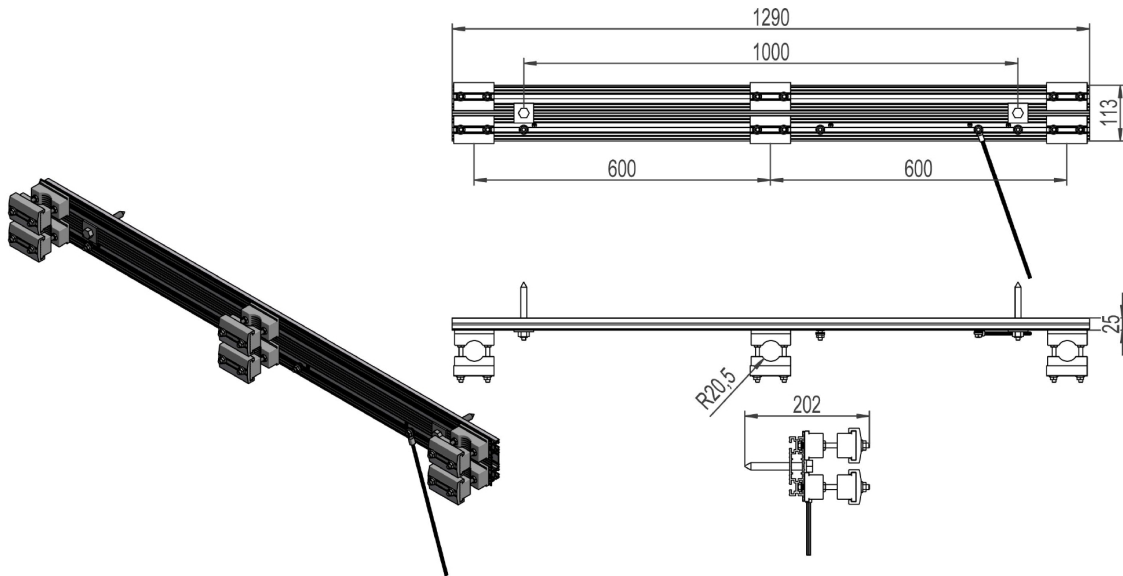


2837738 - Cable crossbar THB31-16



Description	Cable crossbar 2-pole for 3 cables Ø22-42mm. Pole distance 1m, phase distance 0,6m. With cable clamps and fasteners.
Unit	PSC
Weight	4 kg
Material	Aluminium, anodised-brown
Crossarm type	H/A-pole
Pole distance	1m
Phase distance	0,6m
Crossbar profile	Cable (23x95)
Number of cables	3pcs
Suitable for cable diameter	Ø22-42mm