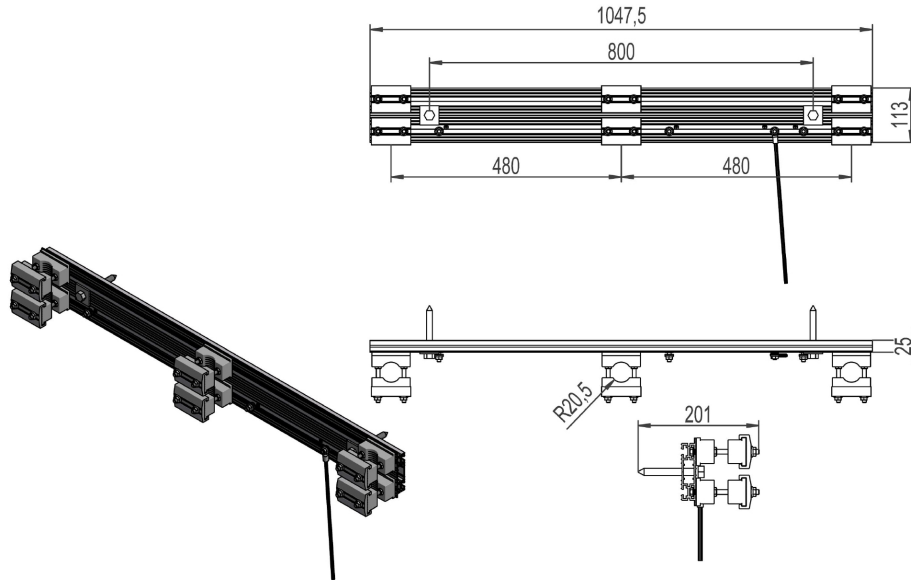


2837739 - Cable crossbar THB31-85



Description	Cable crossbar 2-pole for 3 cables Ø22-42mm. Pole distance 0,8m, phase distance 0,5m. With cable clamps and fasteners.
Unit	PSC
Weight	3,5 kg
Material	Aluminium, anodised-brown
Crossarm type	H/A-pole
Pole distance	0,8m
Phase distance	0,5m
Crossbar profile	Cable (23x95)
Number of cables	3pcs
Suitable for cable diameter	Ø22-42mm