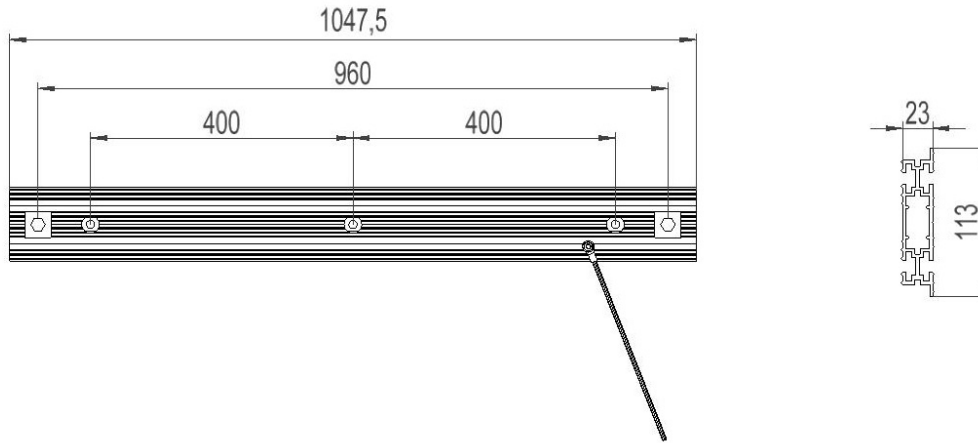


2837740 - Surge arrester crossbar TSHB85



Description	Surge arrester crossbar. 2-pole. Pole distance 0,8m, phase distance 0,5m. For bolts M12.
Unit	PSC
Weight	2,3 kg
Material	Aluminium, anodised-brown
Crossarm type	H/A-pole
Pole distance	0,8m
Phase distance	0,5m
Pole fastening	Bolt
Crossbar profile	Cable (23x95)