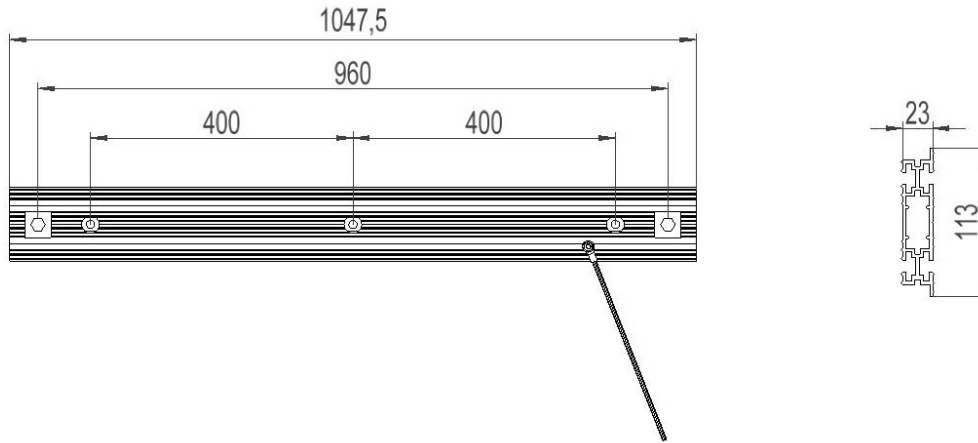


## 2837741 - Surge arrester crossbar TSHB16



Description	Surge arrester crossbar. 2-pole. Pole distance 1m, phase distance 0,6m. For bolts M12.
Unit	PSC
Weight	3 kg
Material	Aluminium, anodised-brown
Crossarm type	H/A-pole
Pole distance	1m
Phase distance	0,6m
Pole fastening	Bolt
Crossbar profile	Cable (23x95)