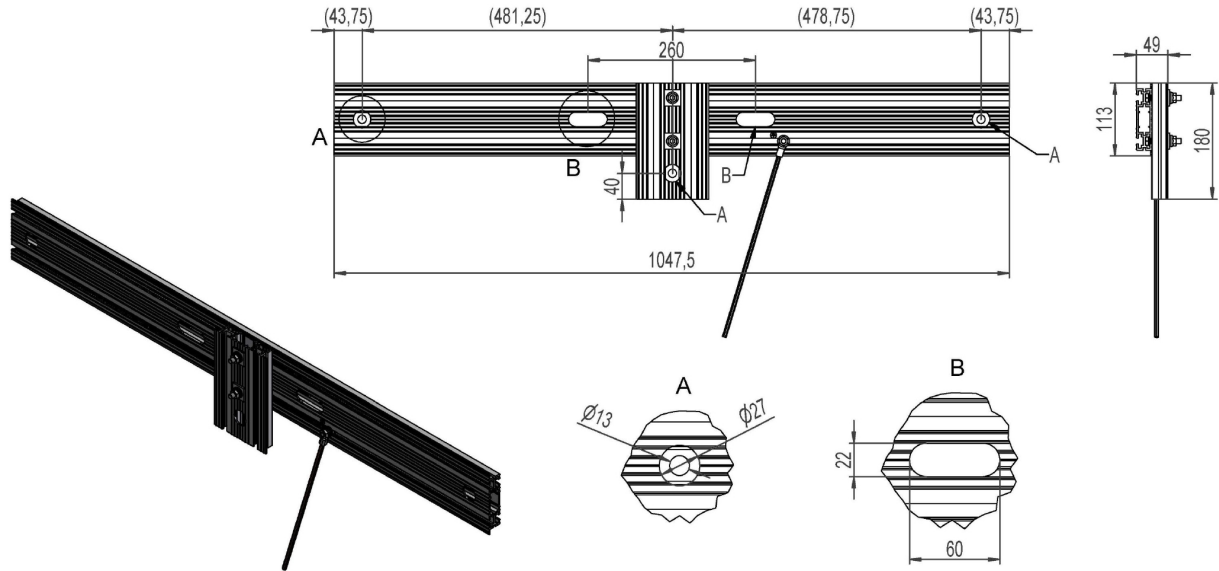


## 2837742 - Surge arrester crossbar TSE



Description	Surge arrester crossbar. 1-pole. Phase distance 0,5m. For bolts M12.
Unit	PSC
Weight	2,7 kg
Material	Aluminium, anodised-brown
Crossarm type	E-pole
Phase distance	0,5m
Pole fastening	260mm-single pole clamp
Crossbar profile	Cable (23x95)