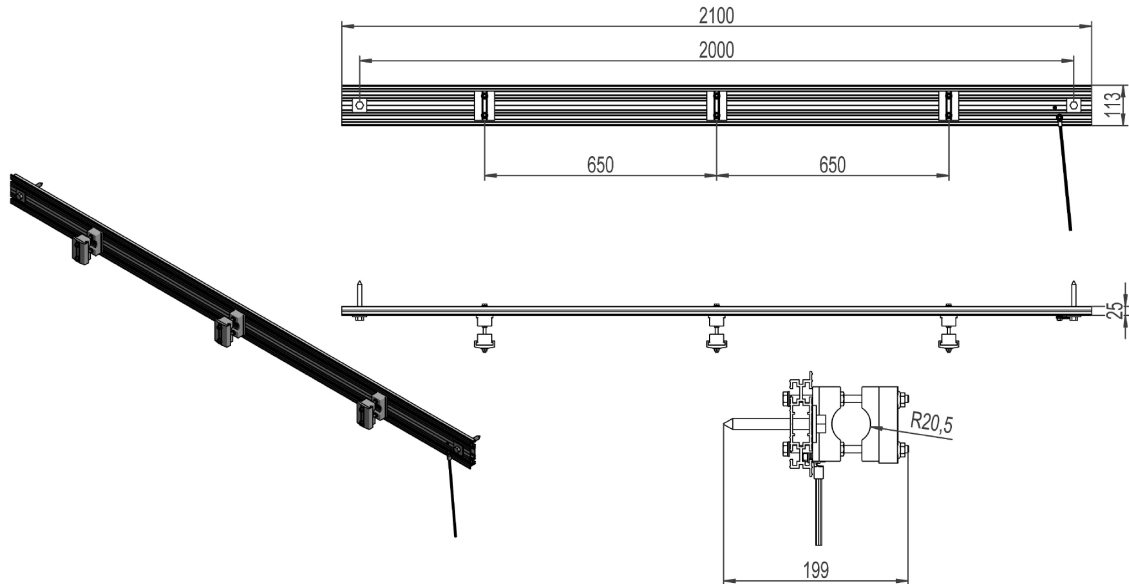


## 2837749 - Cable crossbar TH12-H



Description	Cable crossbar 2-pole for 1 cable horizontal Ø22-42mm. Pole distance 2m. phase distance adjustable. With cable clamps and fasteners.
Unit	PSC
Weight	5,6 kg
Material	Aluminium, anodised-brown
Crossarm type	H/A-pole
Pole distance	2m
Crossbar profile	Cable (23x95)
Number of cables	1psc
Suitable for cable diameter	Ø22-42mm