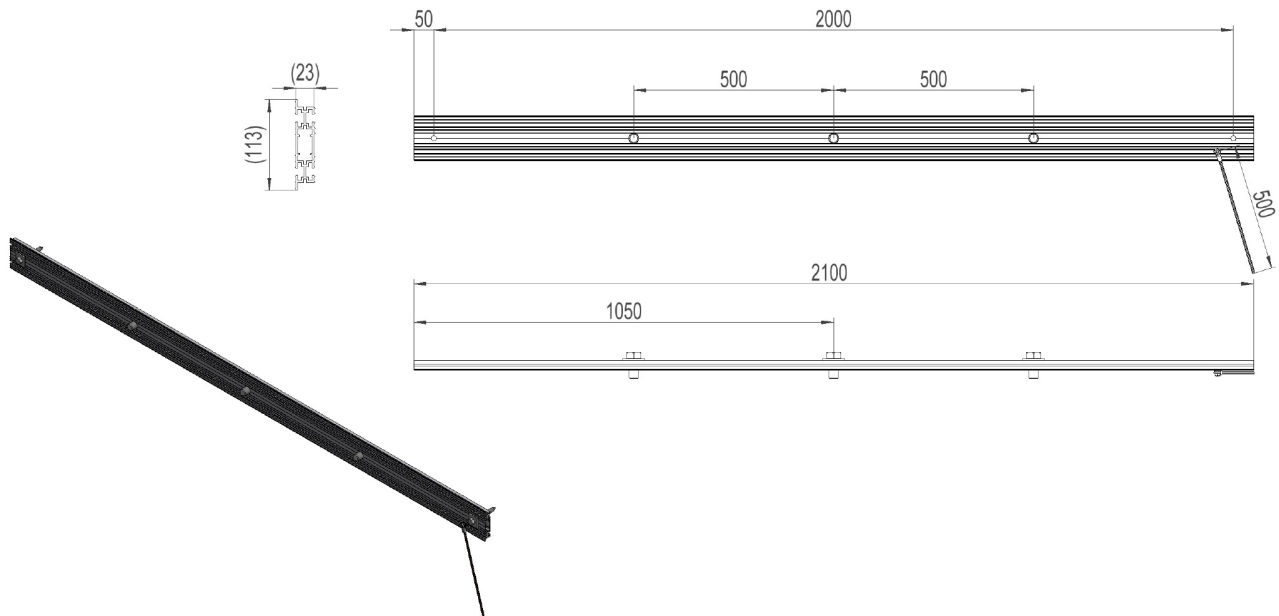


2837753 - Track crossbar TSH20-M24



Description	Track crossbar. 2-pole. For pole distance 2m with holes for M24 bolt. The crossbar is intended for installation of support insulators, where there is no need for a surgearrester.
Unit	PSC
Weight	4,4 kg
Material	Aluminium, anodised-brown
Crossarm type	H/A-pole
Pole distance	2m
Phase distance	0,5m
Crossbar profile	Cable (23x95)