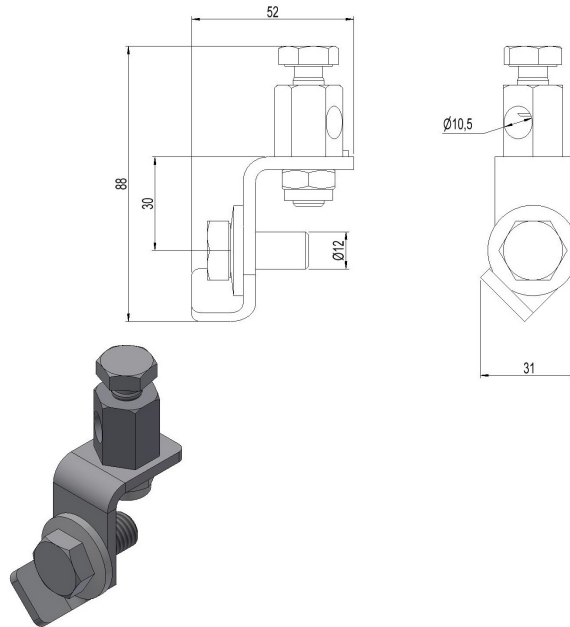


2851764 - Shunt clamp SK-GK



Description	Shunt clamp. Accessory to spark gap.
Unit	SET
Weight	0,55 kg