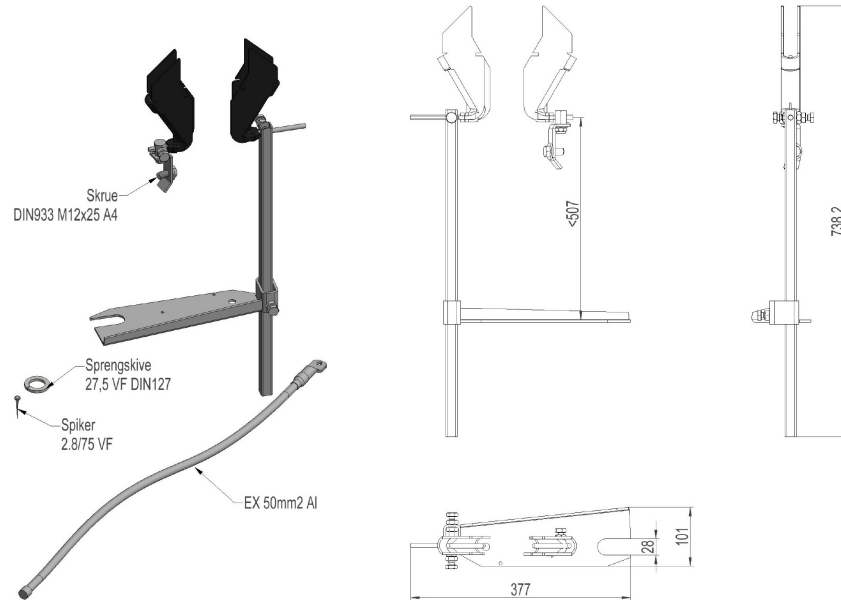


2851766 - Spark gap GMT-GK-I



Description	Self closing spark gap. Unit set of 3.
Unit	SET
Weight	8,45 kg