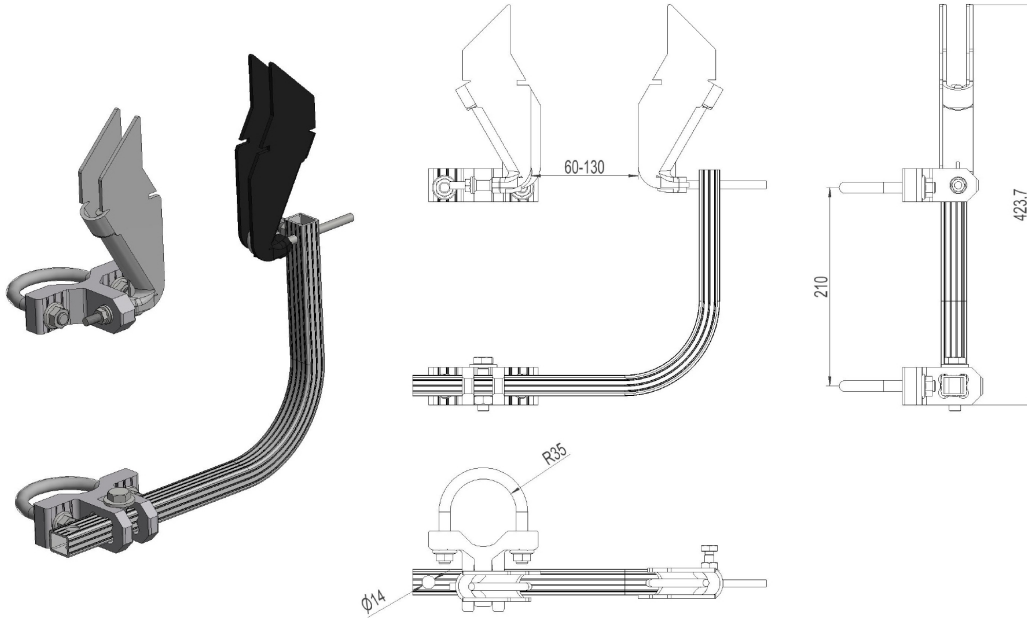


2851773 - Spark gap GMT-KL



Description	Self closing spark gap. Unit set of 3.
Unit	PSC
Weight	3,5 kg