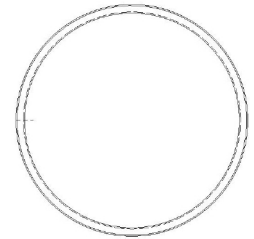
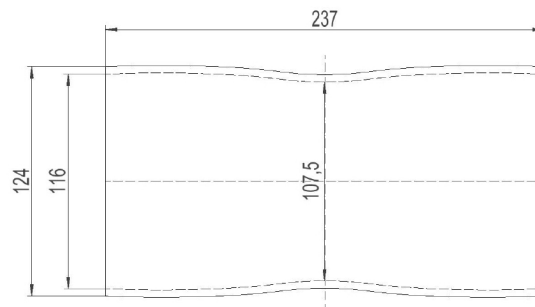
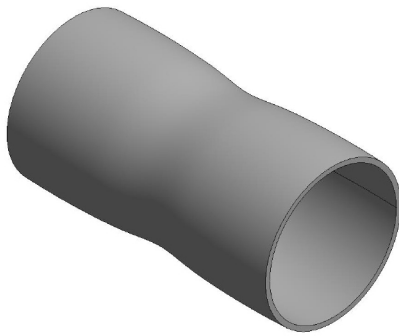


## 2857508 - Pressing sleeve M114



|             |   |
|-------------|---|
| Description | Pressing sleeve.<br>To be used with our pressing pipe R114. |
| Unit        | PSC   |
| Weight      | 2,8 kg  |
| Material    | Steel, lacquered  |