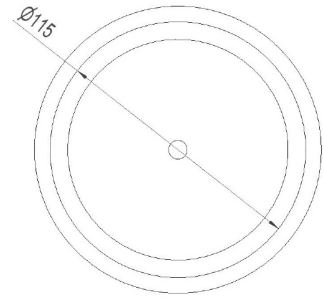
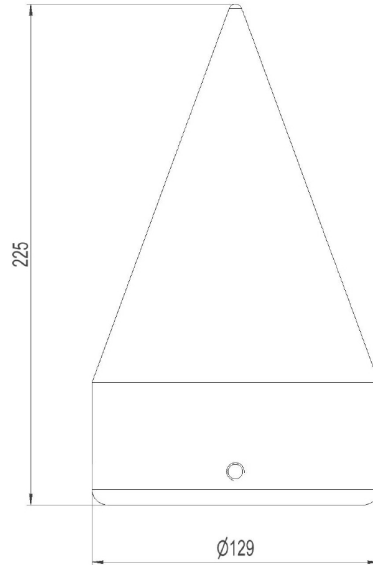
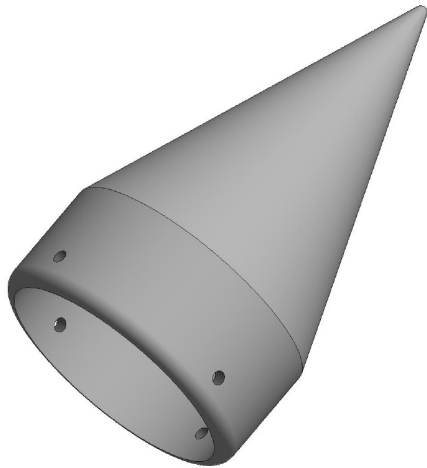


## 2857513 - Tip S114



Description	Tip to be used with our pressing pipes R114. Can be used several times.
Unit	PSC
Weight	1,6 kg
Material	Steel, untreated